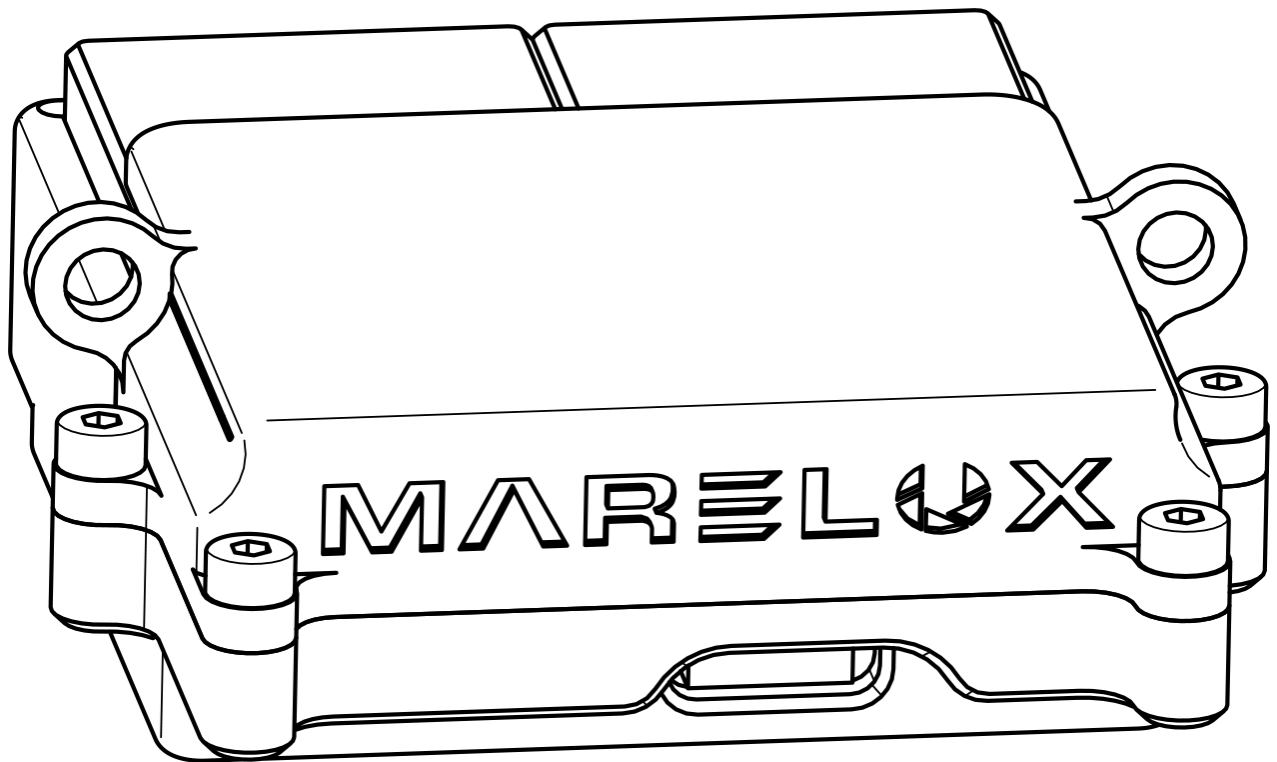


MARELUX

Smart MiniBatt MB1500



User Manual

Please read this user manual carefully before starting to use the product, and use the product properly based on the thorough understanding of this user manual.

<https://www.marelux.co/>

Tech Specs

Product Dimensions : 6*4*2 cm

Item Weight : 61.5 g

Connector type: USB Type-C

Output Power: 30 W

Battery Capacity: 1500 mAh

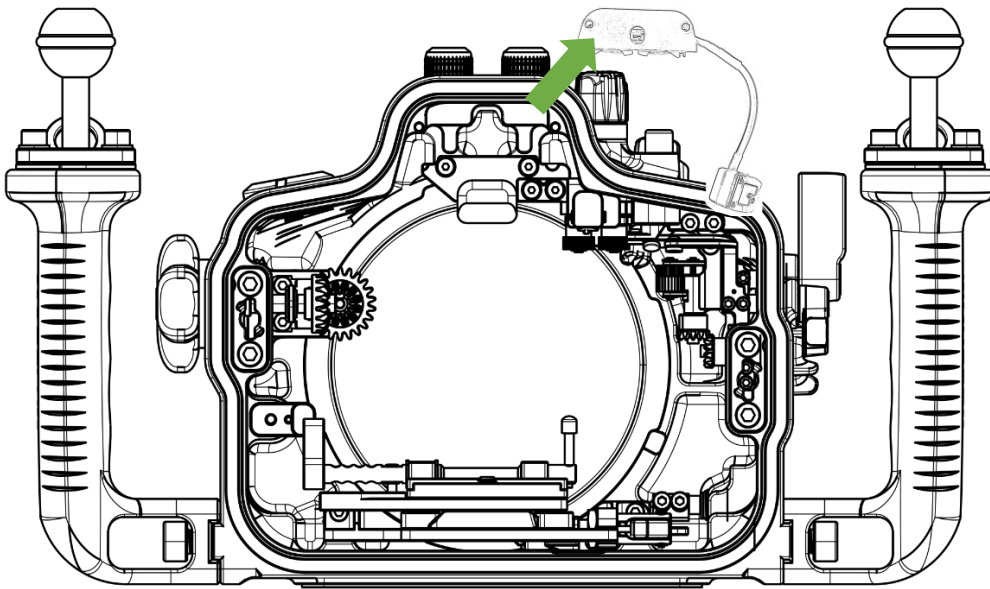
Output Voltage: 5V, 9V, 12V, 15V, 20V

Storage Temperature: -10~60° C

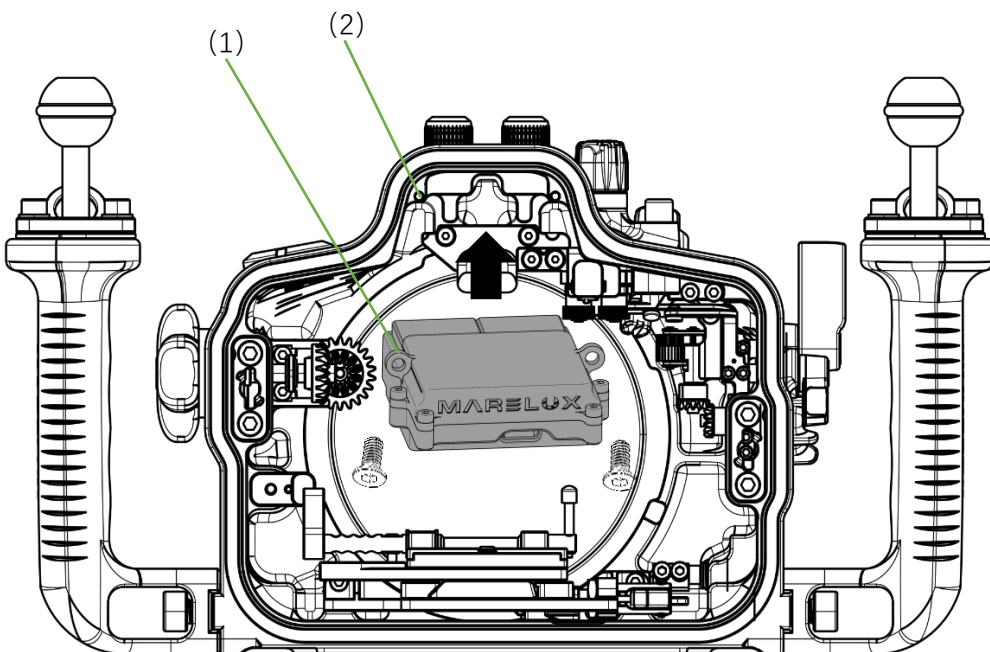
Usage Temperature: -10~45° C

Please note: Do not squeeze the shell and avoid using it in high temperature environments.

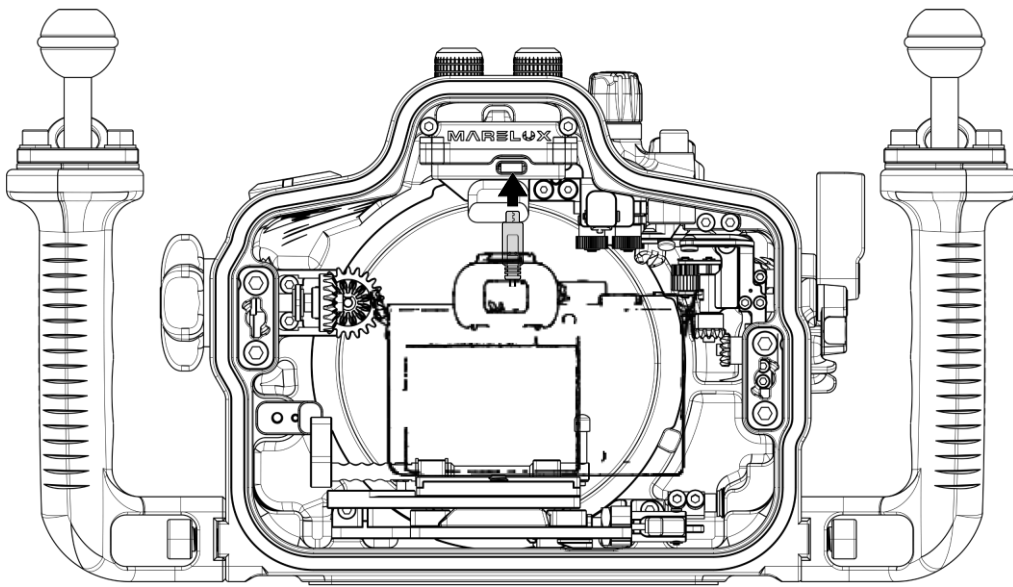
Installation



Remove the two screws that secure the Flash Trigger, and then take out the Flash Trigger.



Align the MiniBatt (1) with the screw holes of the housing (2), and then tighten the screws to secure the MiniBatt onto the housing.



Connect the camera with a Type-C cable and insert it into the MiniBatt port.