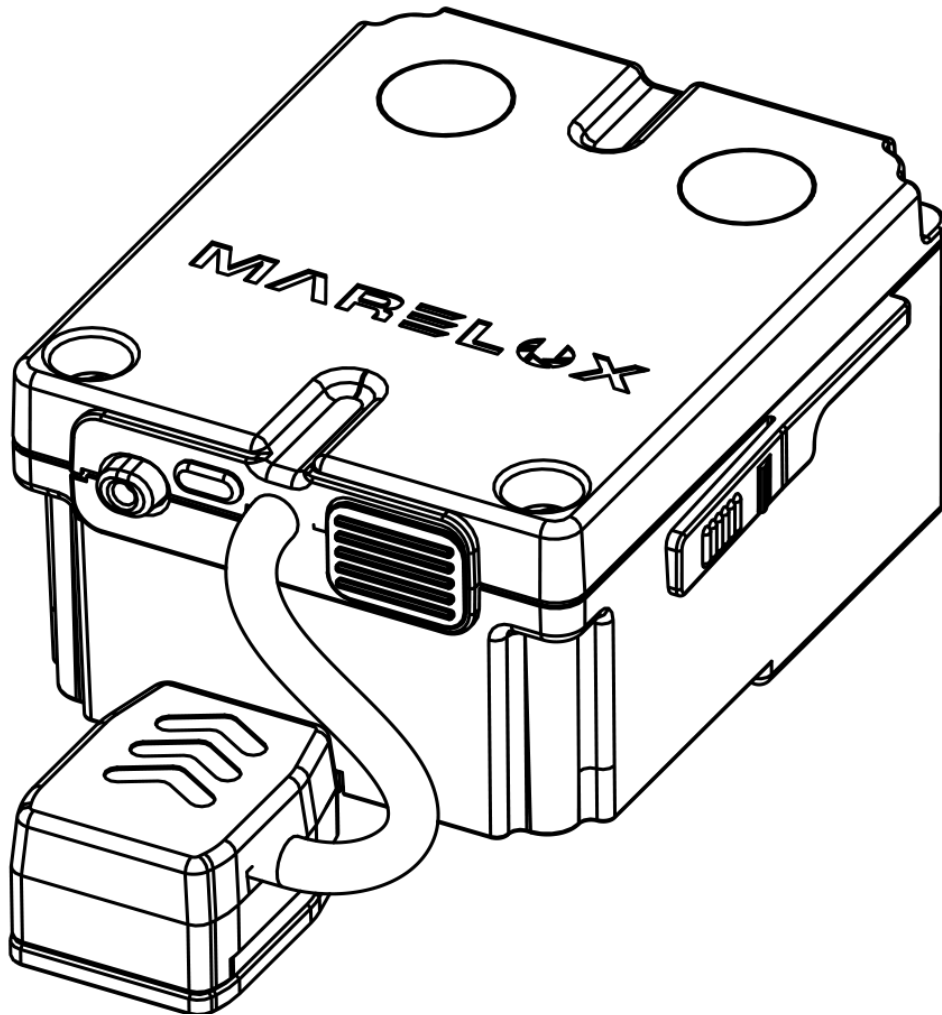


MARELUX

FlashFuel FF2100



User Manual

Please read this user manual carefully before starting to use the product, and use the product properly based on the thorough understanding of this user manual.

<https://www.marelux.co/>

Tech Specs

Product Dimensions : 59*48*32 mm

Connector type: USB Type-C

Output Power: 30 W

Battery Capacity: 2100 mAh

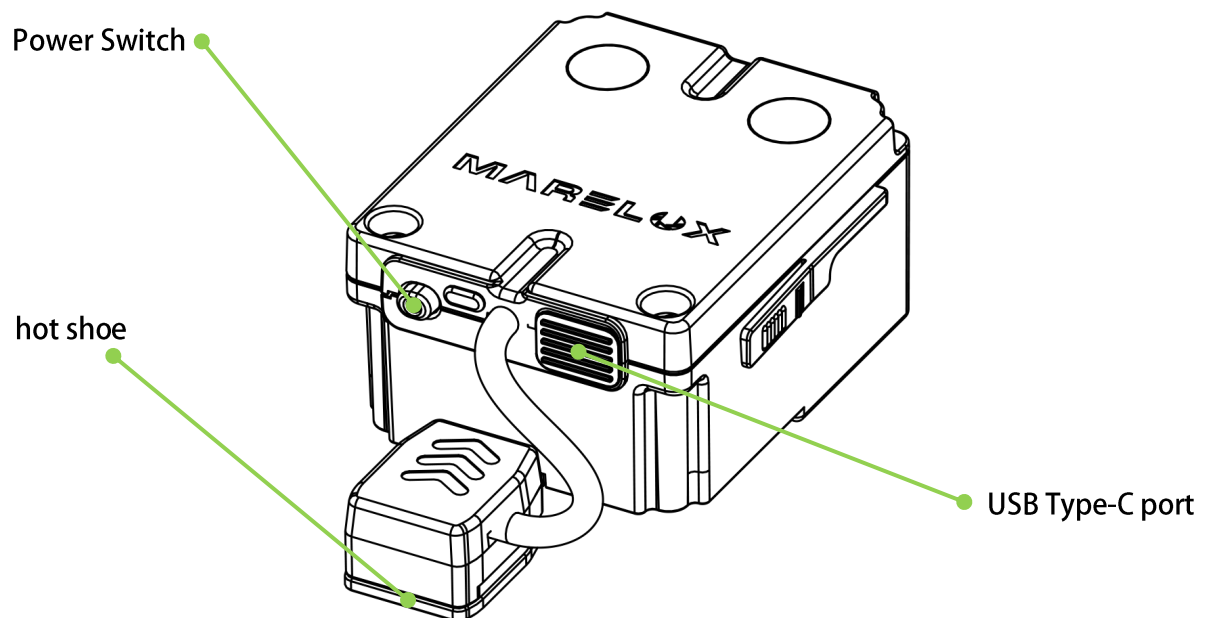
Output Voltage: 5V, 9V, 12V, 15V, 20V

Storage Temperature: -10~60° C

Usage Temperature: -10~45° C

Please note: Do not squeeze the shell and avoid using it in high temperature environments.

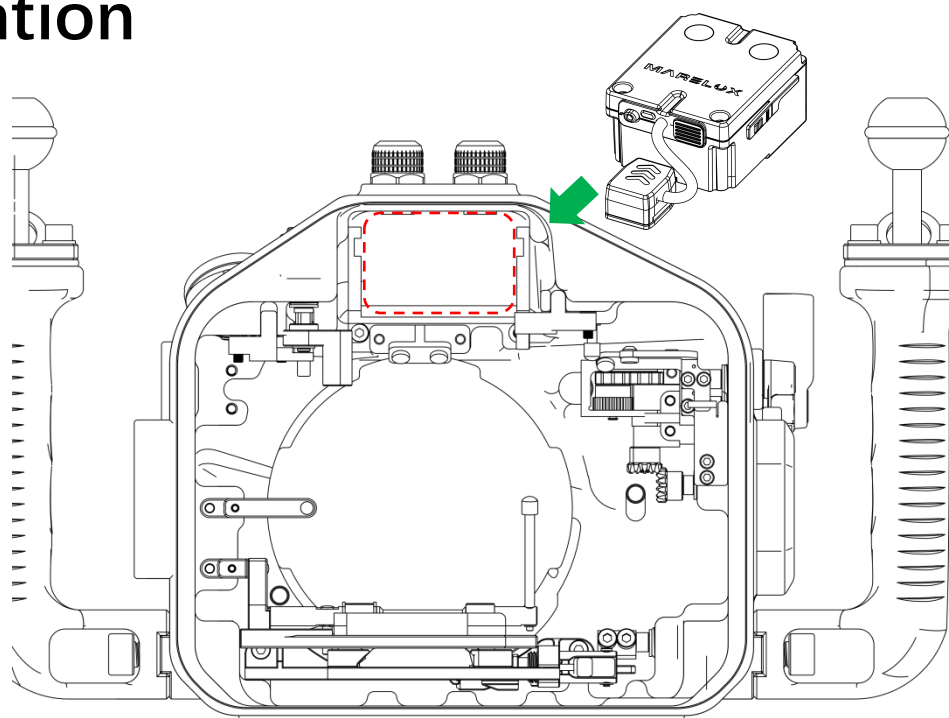
Part Names



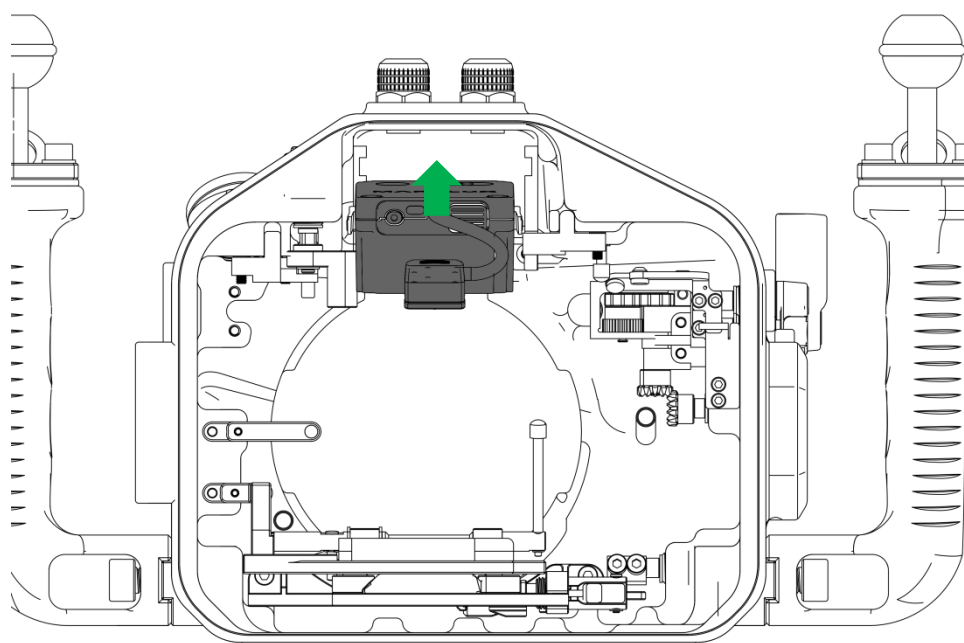
Usage

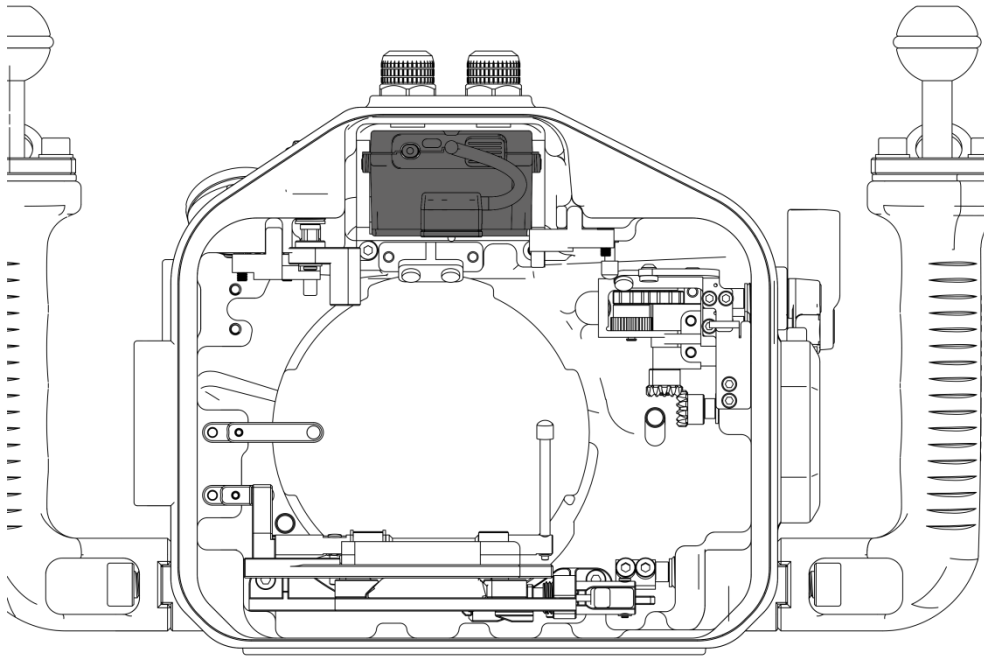
1. The FlashFuel uses a CR123A 3V lithium battery.
2. The FlashFuel is capable of triggering more than 300,000 times.
3. When the FlashFuel is connected to the camera's hot shoe, it automatically powers on when taking a photo, with a blue breathing light turning off 10 seconds after the photo is taken.
4. When the battery of the FlashFuel is low, a red light will flash, indicating the need to replace the battery promptly.
5. The FlashFuel has a maximum output of 6.6~7 W.H.
6. The FlashFuel uses a type-C cable for charging and discharging. During charging, the red light flashes on and off every second, and remains solid when fully charged; during discharging, the light remains solid, and when the FlashFuel is fully discharged, it blinks for 0.25 seconds.

Installation



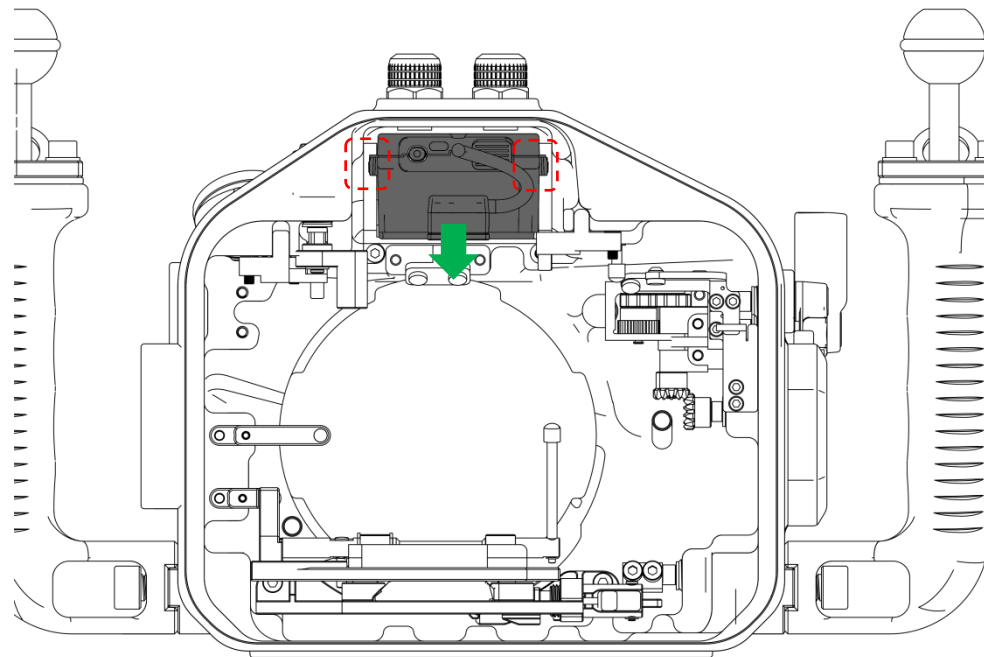
Insert the FlashFuel into the red box area on the housing as shown in the picture.





Installation completed

Uninstallation



Press and hold the sides of the FlashFuel to remove it (as shown in the picture)