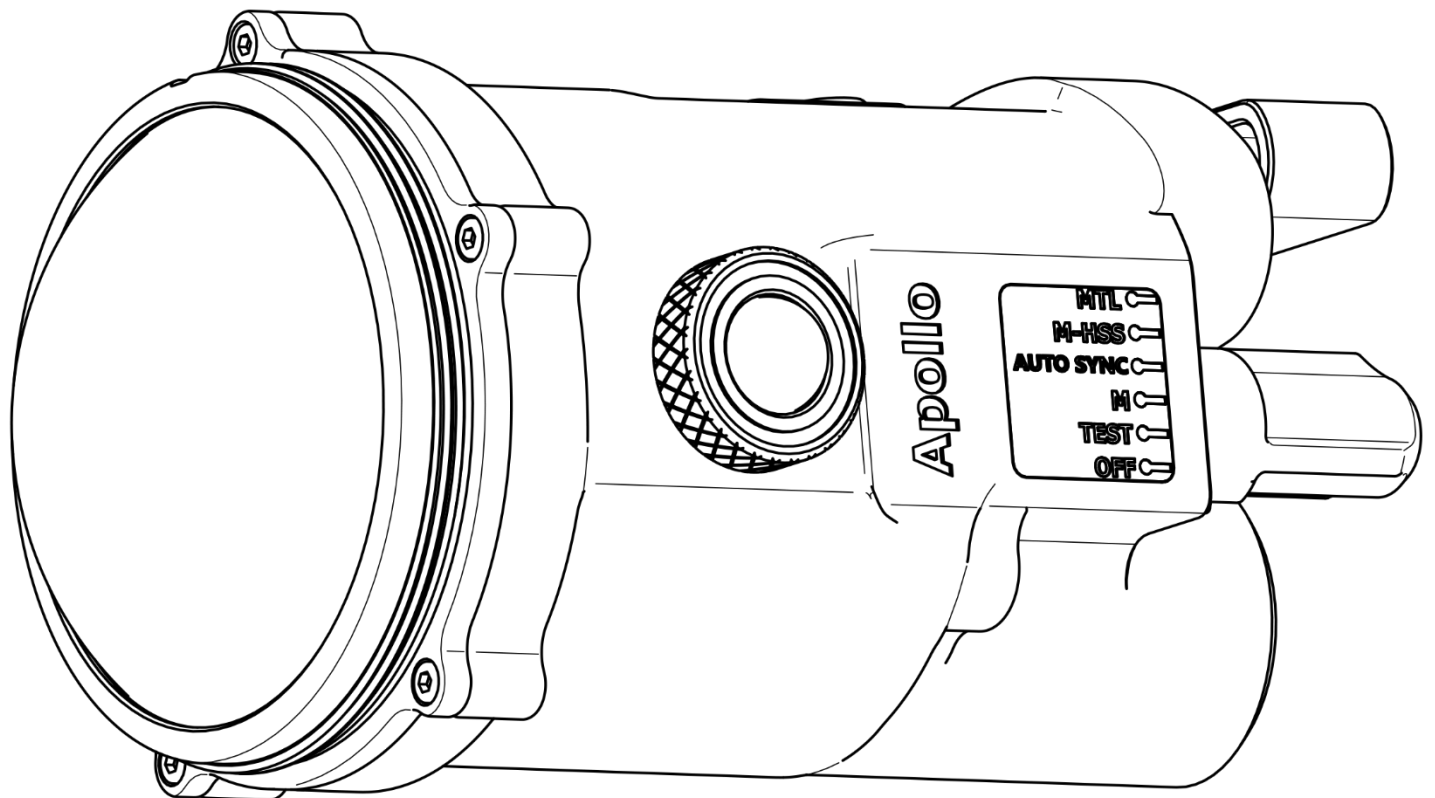


MARELUX

Apollo III Strobe

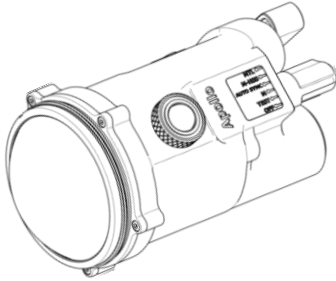


User Manual

Please read this user manual carefully before starting to use the product, and use the product properly based on the thorough understanding of this user manual.

<https://www.marelux.co/>

Package Contents

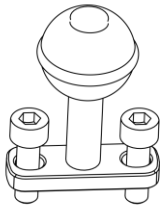


Apollo III Strobe

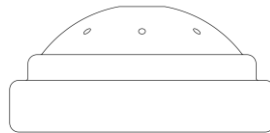


Battery *3

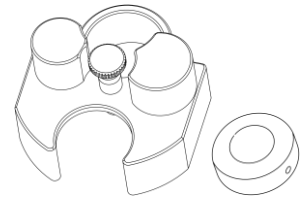
(Need purchase from Marelux)



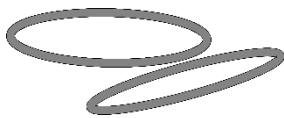
Mounting Ball



Dome Diffuser



Protective Cover

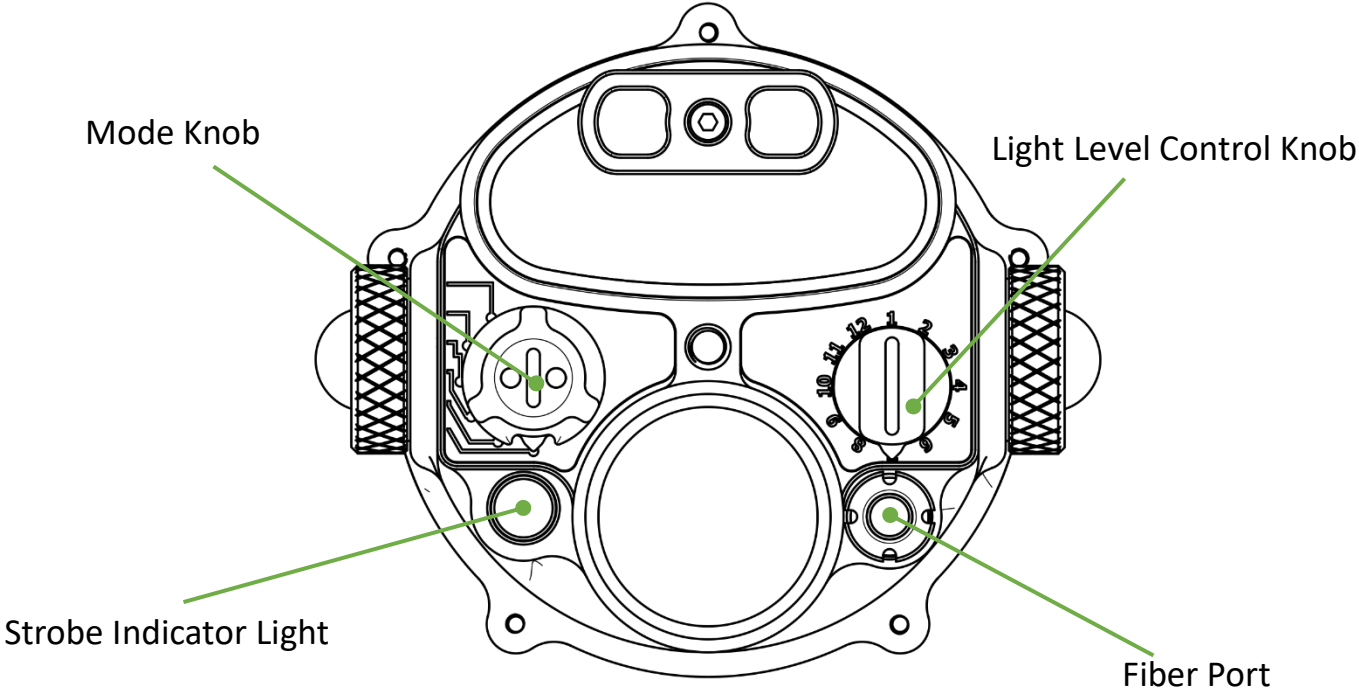
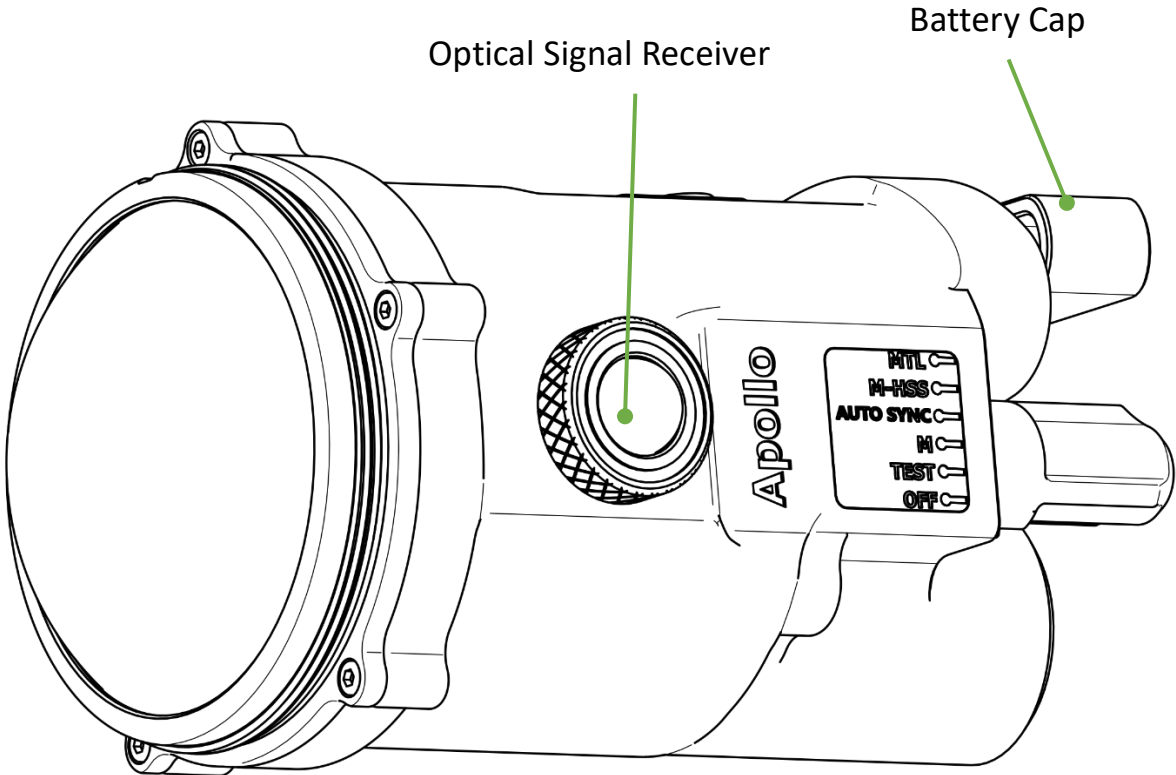


O-Ring*2

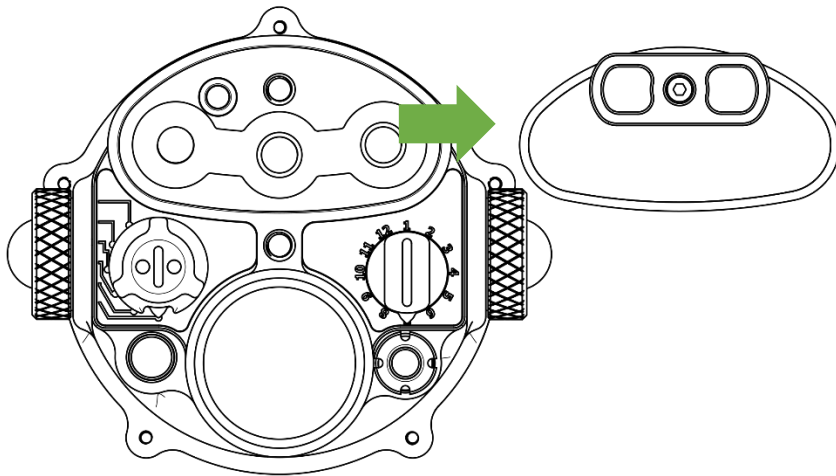
Product Features

1. Support TTL, Olympus RC, HSS.
2. Support MTL mode with continuous flashes.
3. Wireless Trigger: with two fisheye wireless signal sensors covering 160 °, support M, MTL and M-HSS modes.
4. Fiber Trigger: with one fiber port that supports M, TTL, Olympus RC, M-HSS and MTL modes
5. Guide Number: 44 (on land)
6. Beam Angle: 110 °, 120 °(with dome diffuser)
7. Color Temperature: 6200k, 5500K (with dome diffuser)
8. Full Power Recycle Time: 0.6 second
9. Dimensions: max diameter 90mm, main body length 150mm, full length (including knobs) 177mm
10. Land Weight: 960 grams (without battery, with a ball mount), 1095 grams (with 3x18650 batteries and a ball mount)
11. Underwater Weight: 125 grams (with 3x18650 batteries and a ball mount)
12. Battery: 3x18650 lithium batteries
13. Waterproof Battery Chamber
14. Full Power Flash: around 800 times
15. Two Aiming Light Colors: 250 lumens on white and 180 lumens on red
16. Depth Rating: 100m

Parts Illustration

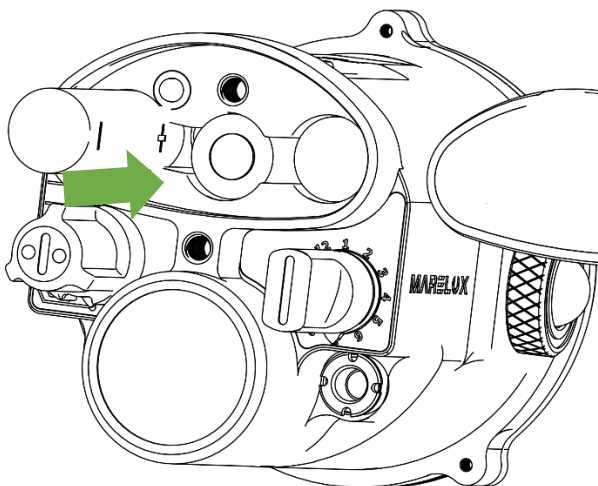


Battery Installation



When changing or installing the battery, make sure the mode knob is in the OFF position!

Remove the Battery Cap by slowly rotating counterclockwise.



Insert three 18650 lithium batteries with the polarity shown in the battery compartment.

(Please note that this strobe requires three 18650 lithium batteries with a discharge current greater than 20A and a voltage of 3.7V. It cannot work with regular 18650 batteries.)

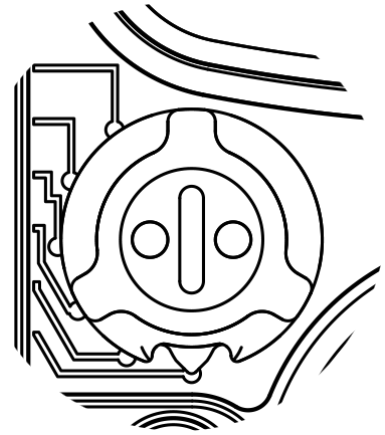
Operation

Mode Knob

OFF Turns the power off. Switch mode knob to [OFF] when you don't use the strobe.

TEST In this mode, you can test the working status of the strobe. Press the mode knob to trigger the strobe.

M Switch to M mode to set light amount to Manual.



(Warning ! Use M model power level 12, for high-speed continuous shooting over 100 times, may cause aging of the coating on dome, and deformation of internal structure. Please don't use M mode for high frequency continuous shooting. And only use strobe underwater !)

AUTO SYNC Switch to AUTO SYNC mode when shooting with TTL flash output.

M-HSS Switch the M-HSS mode when shooting with high-speed synchronization.

(Warning! In M-HSS mode, please do not take more than 30 continuous shots within one minute !)

MTL Switch to MTL mode when shooting in continuous mode. When using the strobe in MTL mode with fiber connection, it supports 10 continuous shots per second at all power settings.

When shooting in continuous mode using wireless trigger mode, the strobe may miss some flashes. The number of continuous shots supported under different power settings for MTL in

wireless trigger mode are as follows.

<i>Light Level</i>	<i>The number of continuous shots</i>
1	10/s
2	
3	
4	
5	
6	8/s
7	6/s
8	6/s
9	5/s
10	4/s
11	4/s
12	2/s

Do not use the MTL mode for continuous shooting when the battery level is at half or below!

Target Light

In modes other than the test mode, press the mode knob to turn on the target light. The target light has two colors, red and white, and each color has two brightness levels. Press the mode knob to change the color and brightness level.

Wireless Trigger Mode

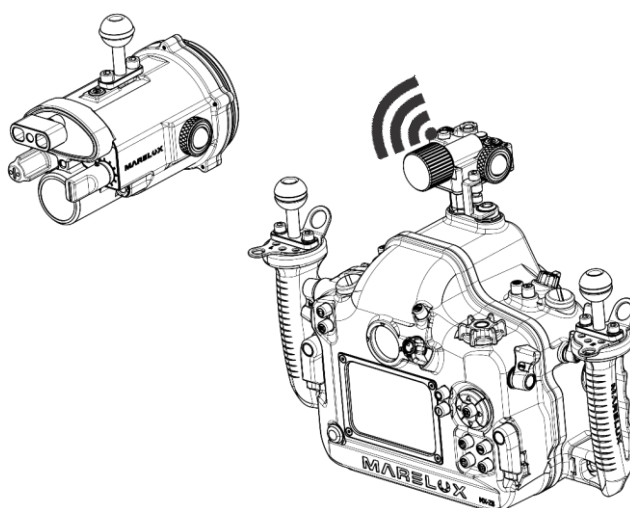
To use the wireless trigger mode, the **Lumilink** optical transmitter is required as the signal transmitter. When the strobe is turned on, the wireless trigger mode is disabled by default.

In modes other than the test mode, press and hold the mode knob for 2 seconds, and after hearing four "beep" sounds, the wireless trigger mode will be activated. (Wireless triggering is supported in M, M-HSS, and MTL modes)

Press and hold the mode switch for 2 seconds, and after hearing two "beep" sounds, the wireless flash mode will be deactivated.

In M mode, the fastest shutter sync speed supported by the wireless flash mode is 1/200; however, some cameras may only support up to 1/160.

The reception distance of the optical signal receiver underwater is 2 to above 10 meters up to visibility and brightness of sunlight (Under strong sunlight, the effective range of reception for the optical signal receiver is 60-70cm, with a reception angle of 50-60 degrees)



Strobe Indicator Light

The emission color of the strobe indicator light will change depending on the remaining battery level. Emission colors are shown in the table below.

<i>Remaining Battery Level</i>	<i>Emission color</i>
80~100%	Blue
60~80%	Green
40~60%	Yellow
20~40%	Purple
0~20%	Red

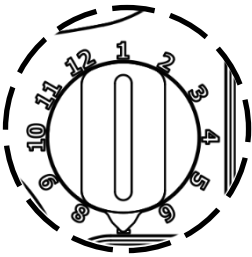
When the strobe indicator light is in a low battery state with a red light, please refrain from using the flash function to avoid damaging the battery.

The strobe will preheat for 10 seconds when first turned on, during which the strobe indicator light will remain red. Please wait for the preheating to finish before using the strobe.

When the strobe overheats, it will trigger an overheat protection mechanism, preventing further flash triggering. The strobe indicator light will become yellow, indicating the need for cooling for a few minutes.

Light Level Control Knob

Light amount can be adjusted in 12 increments:



M Mode

<i>Level</i>	1	2	3	4	5	6	7	8	9	10	11	12
<i>GN</i>	5.6	6.8	8	9.5	11	13.5	16	19	22	27	32	44

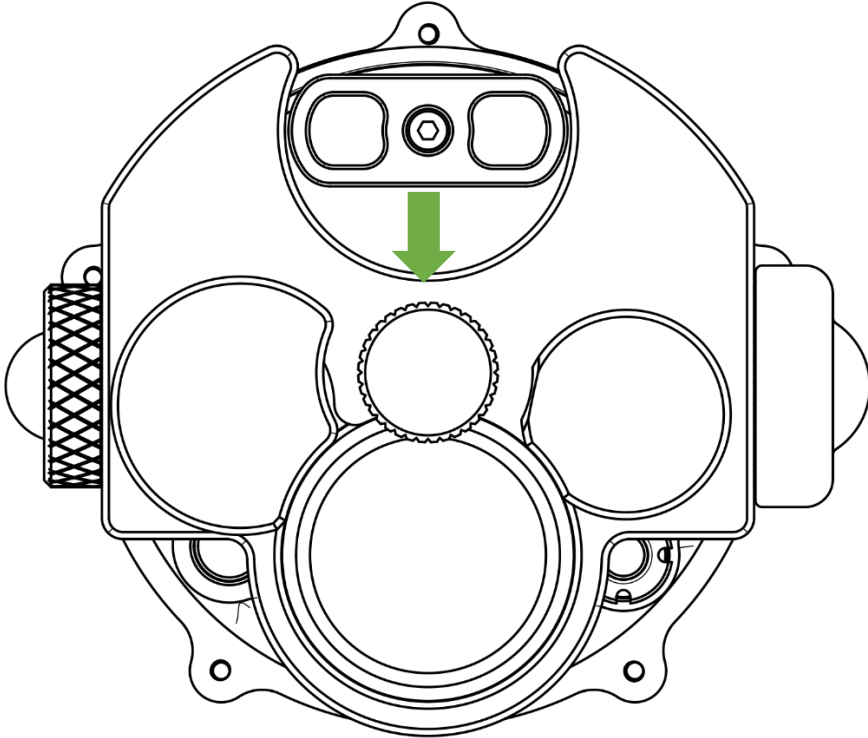
MTL Mode

<i>Level</i>	1	2	3	4	5	6	7	8	9	10	11	12
<i>GN</i>	3.4	4	4.8	5.6	6.8	8	9.5	11	13.5	16	19	22

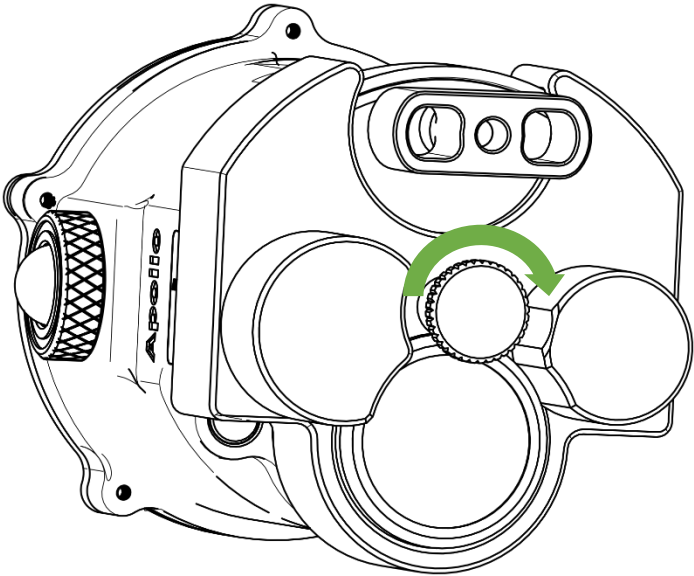
The lifespan of the tube is tested through one million full-power cycles.

To achieve the longest possible lifespan and safety, the electronic components of the Apollo III are designed with redundant power, which may result in instability of brightness during low-power flickering. At positions below the third level in M mode and below the sixth level in MTL mode, there will be minor variations in brightness.

Protective Cover Installation



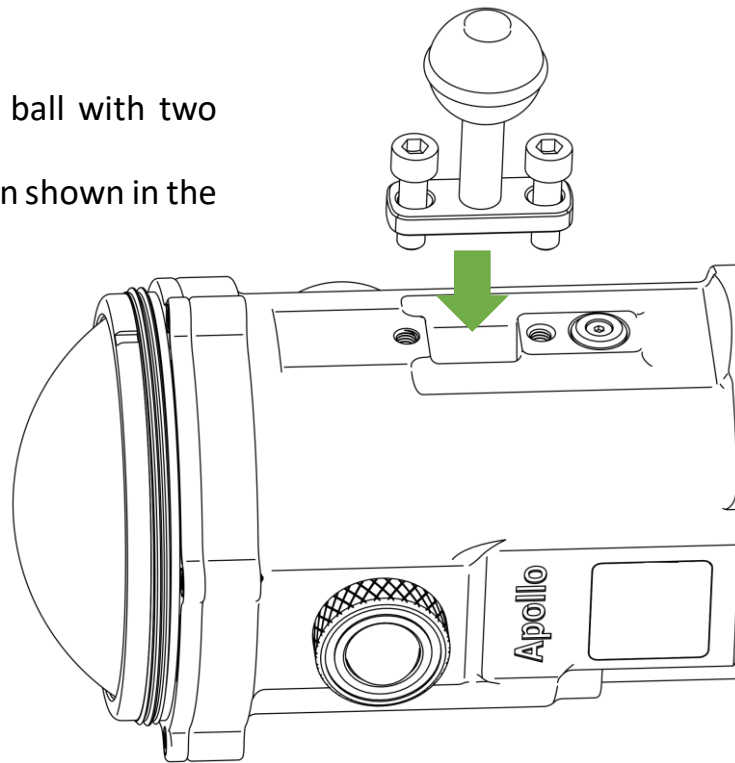
Align the protective cover with the strobe as shown in the diagram.



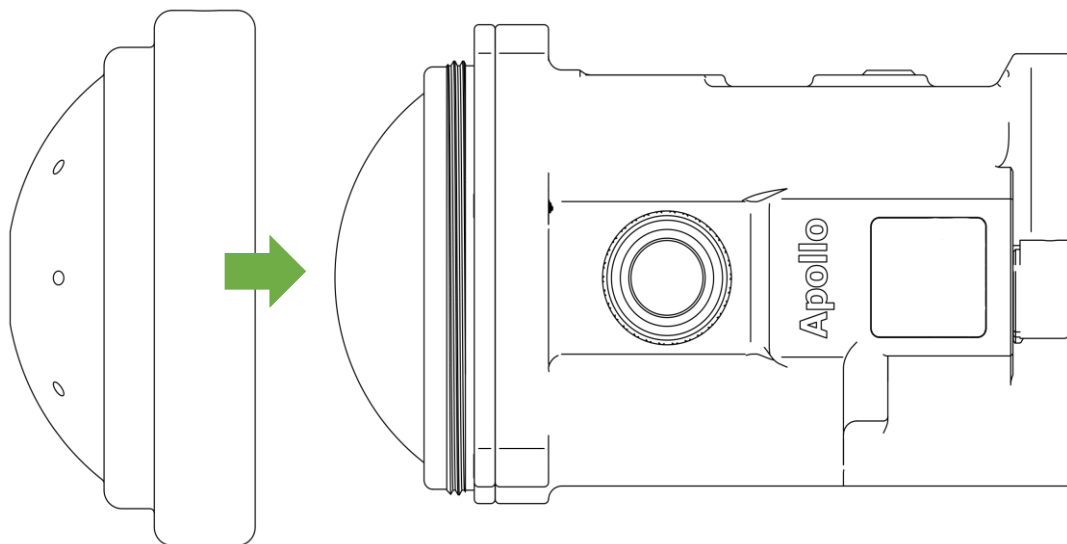
Rotate the screw clockwise as shown in the diagram.

Mounting Ball Installation

Install the mounting ball with two screws in the direction shown in the diagram.



Dome Diffuser Installation



Install the Dome Diffuser in the direction shown in the diagram.

Maintenance And Storage

1. After diving, make sure the strobe is locked and sealed, wash the strobe body with fresh water.
2. When immersed with fresh water, push each button few times, thus can help to let salt and sand go out.
3. Use a soft cloth to wipe and clean the glass on the dome.
4. After each dive, clean the O-rings and check if there are damages on the O-rings.
5. Use sturdy and shock-proof case to carry the strobe and its accessories.
6. Don't leave the strobe for too long inside vehicle under exposure to sunlight or heat.
7. Please stop charging the battery when it is full to prevent overcharging and damage to the battery.
8. If don't use the strobe for long period, remove the batteries.
9. This product is prohibited for use or play by children under 10 years old.

Warranty

1. Marelux provides 2 years warranty for its housing body, cable (such as fiber cable and HDMI cable), and 1 year warranty for electronic parts and components made of silicon, rubber and plastic.
2. Marelux will keep components and parts for repair and maintenance in storage for 5 years after EOL of each model. Beyond this period, Marelux may not be able to provide repair service for those products.
3. Repair caused by following reasons will still be charged by marelux even during the 2 years warranty.
 - Damage from misuse, incorrect maintenance or storage not complying with the specifications and notices in this users' manual;
 - Damage from falling or inappropriate placement of the product;
 - Damage caused by repair, maintenance, dismantlement, modification or cleaning by any unauthorized vendor or service center by Marelux;
 - Product without authentic Marelux serial number, or with erased, distorted or falsified serial number;
 - Damage caused by usage of non Marelux recommended accessories, parts, components from other makers or suppliers, such as Flash Trigger, Cable, Dome Port, Extension Ring, Convertor and etc;
 - Damage caused by misuse or mistreatment by human, or by natural disaster or other situations of force majeure;
 - Malfunction or damage caused by erosion due to not cleaning the housing or accessories.
4. Batteries, lubricants and other consumable supplies are not in warranty.
5. All parts and components replaced from the housing and its accessories in the warranty service should belong to Marelux.
6. Marelux is not responsible for and will not compensate any collateral damages or financial losses caused by using Marelux products, such as income or fees related to the users of Marelux products.

- Warranty is only provided to products sold inside the service territory of the distributor or reseller.
- Products purchased and used for rental business are not included in warranty.
- Products will lose warranty immediately after unauthorized repair or modification.
- The warranty terms above are made for Marelux customers to conduct free warranty service and repair and have no restriction to any legal rights that customers shall possess.

CE FC RoHS

Made in China