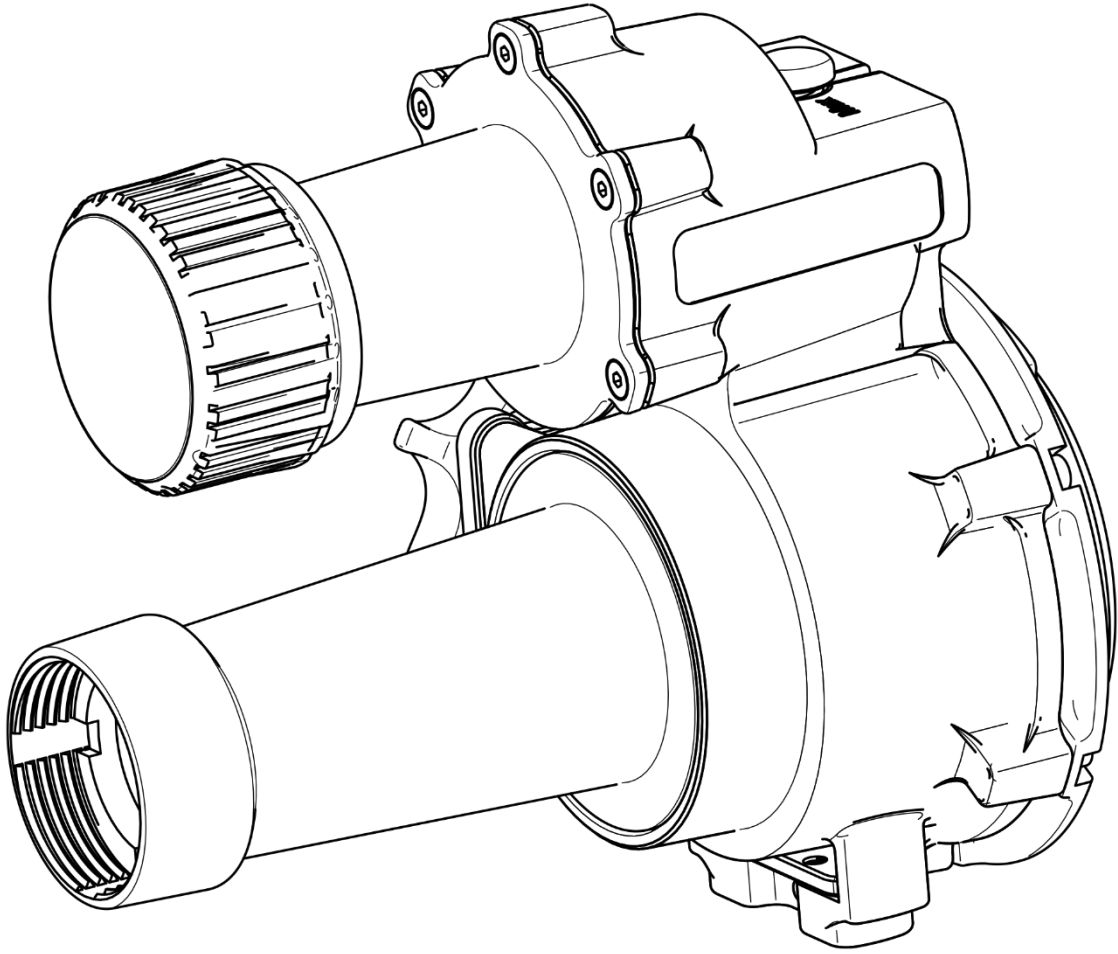


MARELUX

Smart Optical Flash Tube Lite 2.0(SOFT Lite 2.0)



User Manual

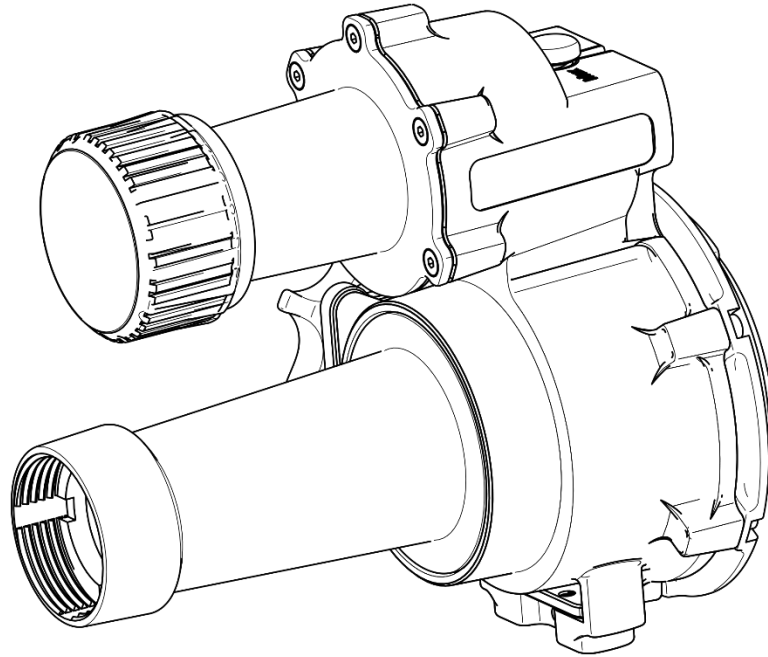
Please read this user manual carefully before starting to use the product, and use the product properly based on the thorough understanding of this user manual.

<https://www.marelux.co/>

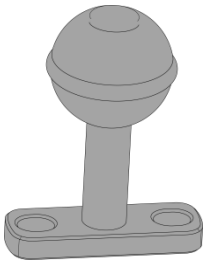
Contents

Package Contents	-----	3
Product Features	-----	4
Identification of Parts	-----	5
Battery Installation	-----	6
Dock Installation		
● AOI UCS-Q1	-----	7
● IKelite DS-160	-----	8
● INON S2000	-----	9
● INON Z240	-----	10
● INON Z330	-----	11
● Retra	-----	12
● Sea & Sea YS-D3	-----	13
● Sea & Sea YS-D2	-----	14
● Seacam 150/160	-----	15
● Apollo III	-----	16
● Apollo S	-----	17
SOFT Lite Installation	-----	18
Usage	-----	19
Warranty	-----	20
Maintenance And Storage	-----	21

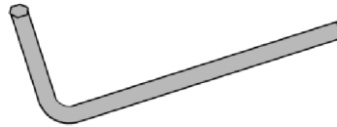
Package Contents



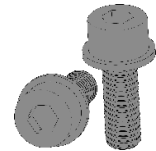
SOFT Lite 2.0 Main Body



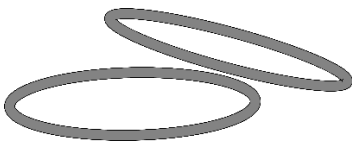
Mounting Ball * 1



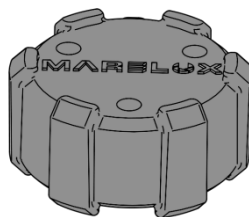
Allen Wrench * 1



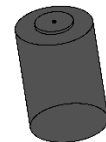
Screw *2



Oring * 2
(one thick and the other thin)



protective cover * 1



18650-21700
battery adapter * 1

Product Features

Use with strobe to narrow down the beam coverage

Length : 155mm

Weight : 600g (on land) Neutral buoyancy underwater.

Depth Rating : -100m

Focal Length (Underwater): 130mm

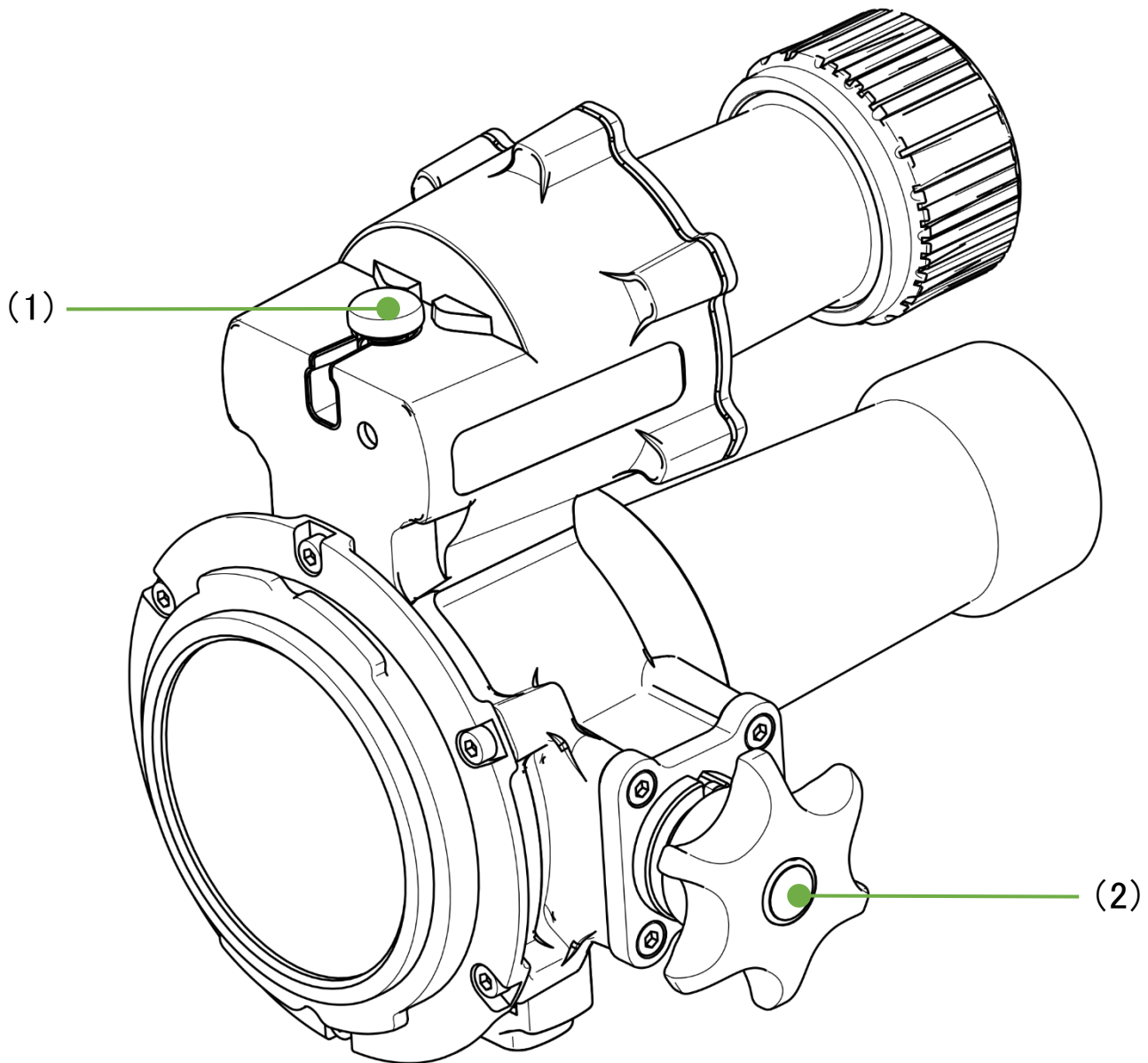
Beam Spot Adjustment Range: 3~50mm

Beam light switchable between white and red colors with adjustable luminance and adjustable delay shutoff time of beam light.

Use one 21700 Lithium battery which can support 6 hours of continuous use.

(You can use 18650 battery by using a battery adapter)

Identification of Parts



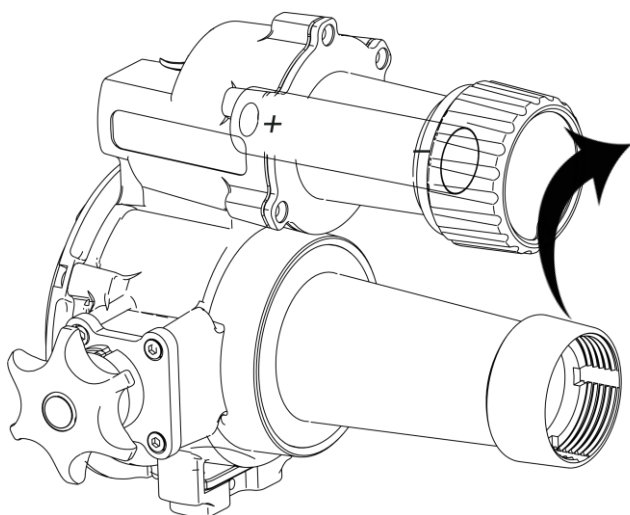
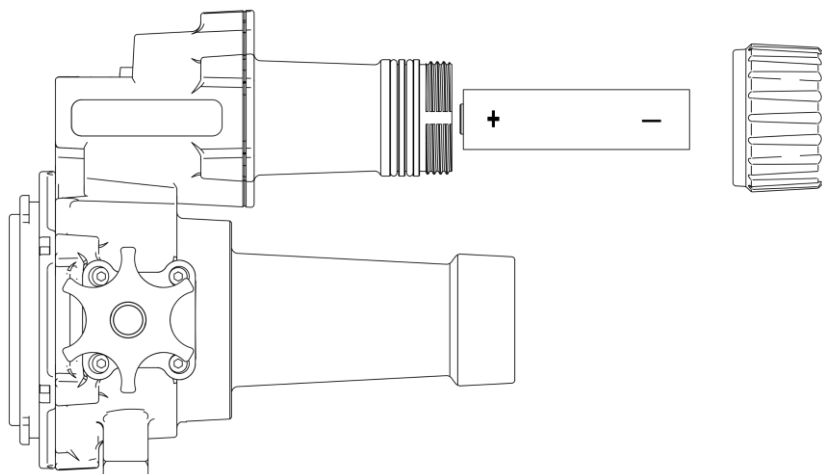
(1) Power Switch

(2) Beam Spot Adjustment Knob

Battery Installation

This product requires one 21700 Lithium battery or an 18650 battery with a battery adapter (flat-head batteries are recommended)

Remove the battery end cap by rotating it counter clockwise then insert the battery in the direction shown in the figure.

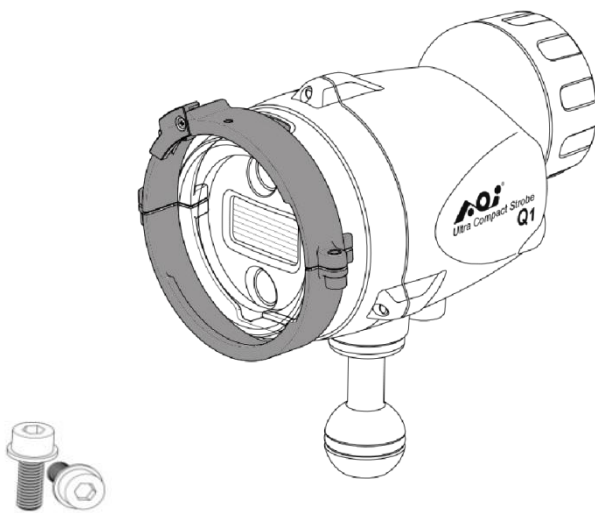
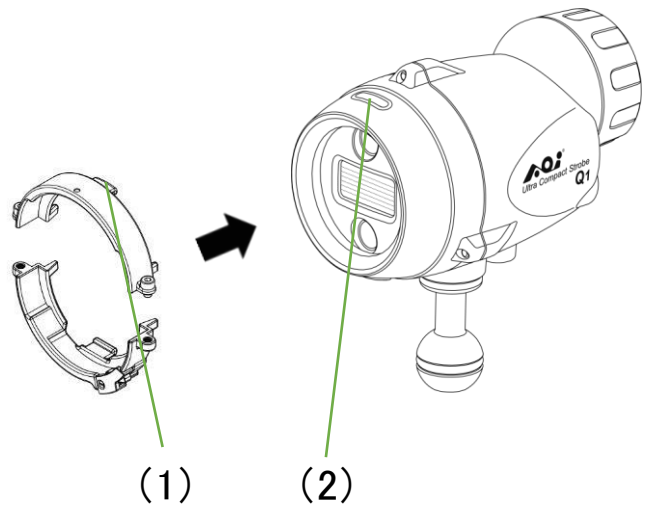


Attach the battery end cap by rotating it clockwise. Screw the battery cover into place until the indicator light turns on, there is no need to tighten it excessively.

Dock Installation

AOI UCS-Q1

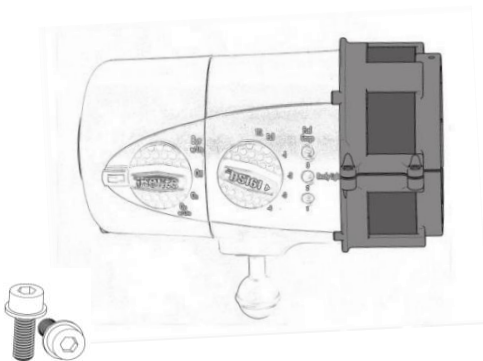
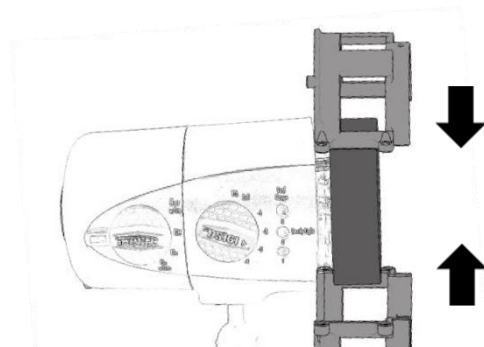
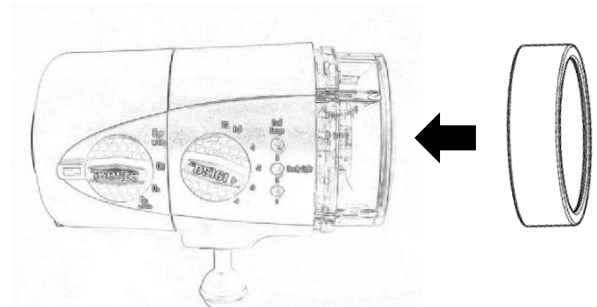
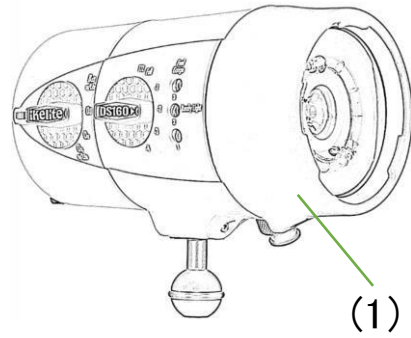
Align the bulge (1) of [the dock for AOI UCS-Q1] to the slot (2) of the strobe.



Tighten the screw to secure the dock onto the strobe.

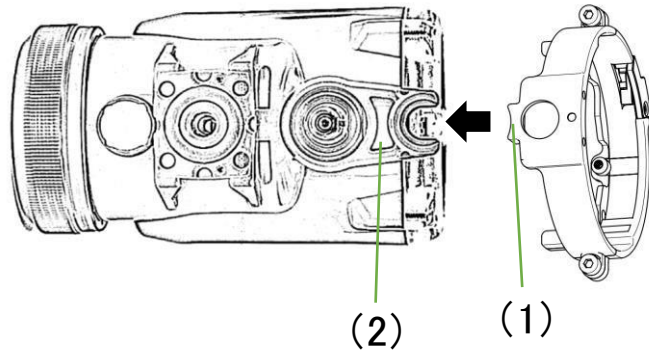
IKelite DS-160

Remove the shroud (1) from the strobe then attach the ring and the dock to the strobe.

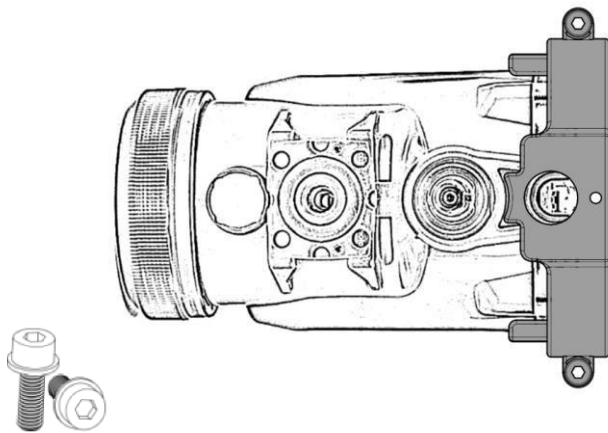
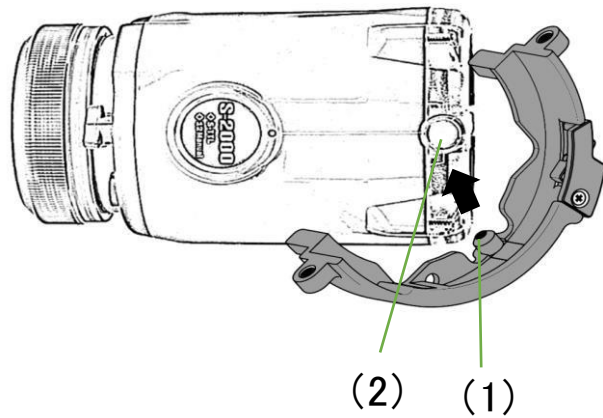


Tighten the screw to secure the dock onto the strobe.

INON S2000

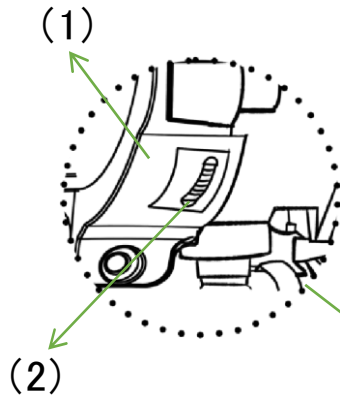


Align the bulge(1) of [the dock for INON S2000] to the slot(2) of the strobe.

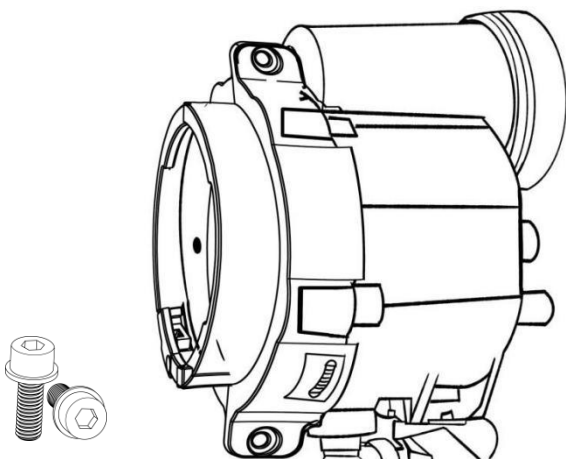
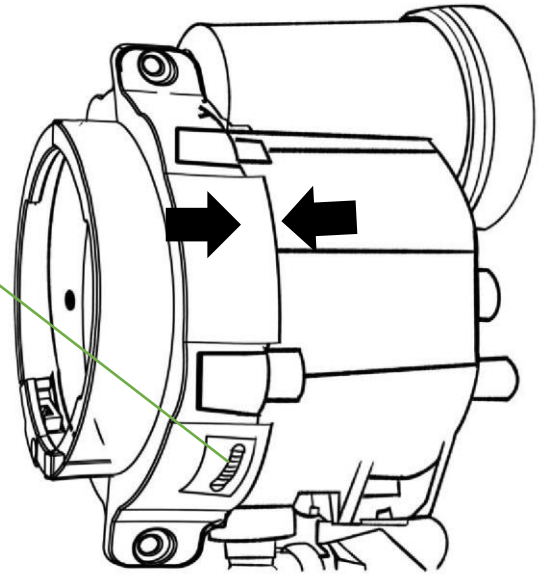


Tighten the screw to secure the dock onto the strobe.

INON Z240



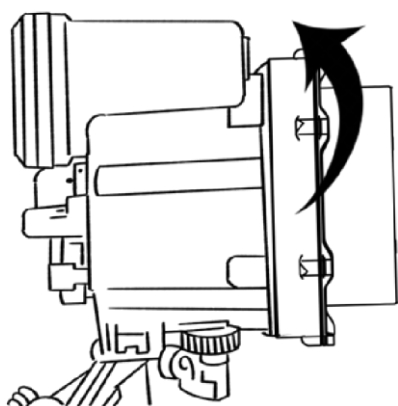
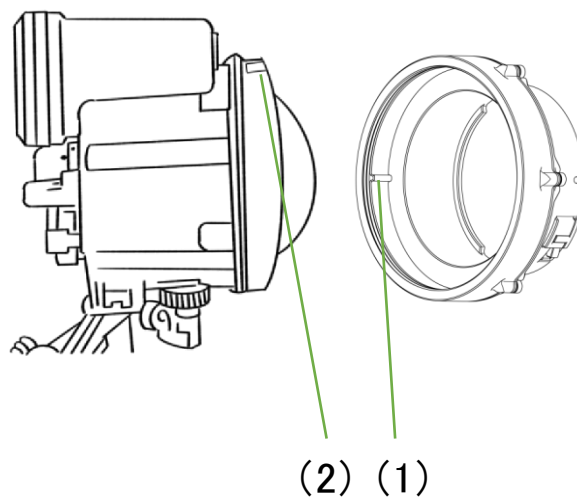
Attach the dock to the strobe so that the notch(1) of the dock aligns to the gear(2) of the strobe.



Tighten the screw to secure the dock onto the strobe.

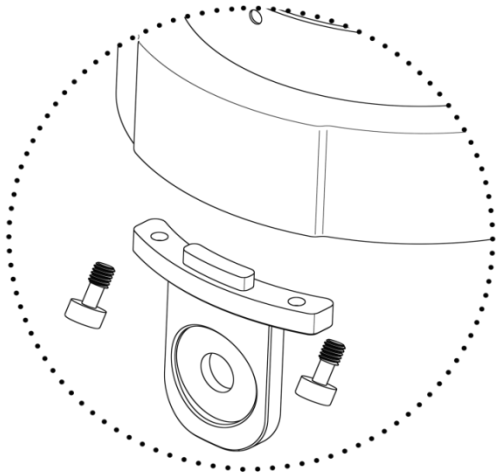
INON Z330

Align the bulge(1) of [the dock for INON Z330] to the slot(2) of the strobe.



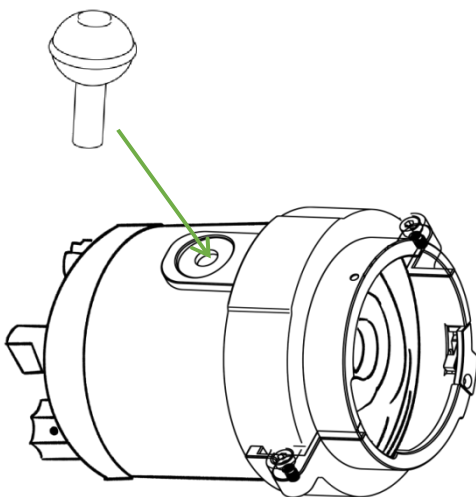
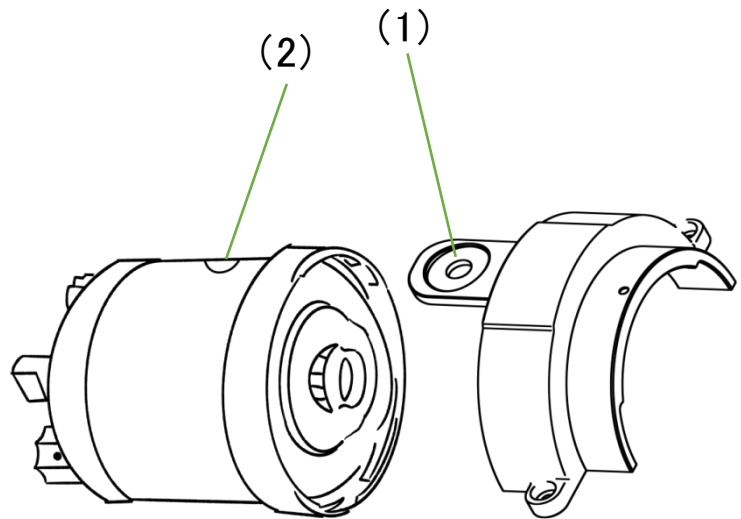
Then attach the dock to the strobe by rotating its ring clockwise.

Retra



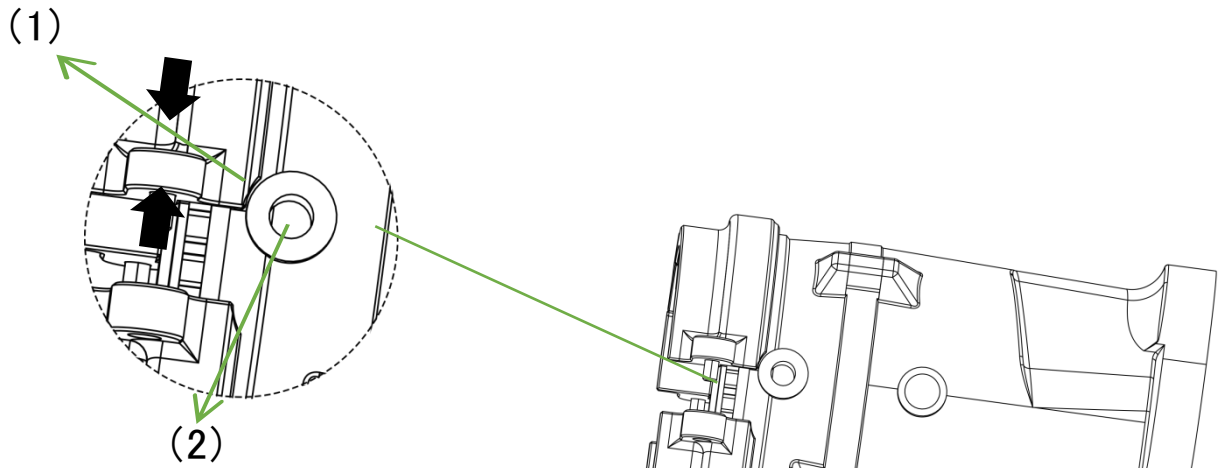
Use screws to attach the mounting ball lock to the dock and tighten them.

Attach the dock to the strobe so that the lock(1) aligns to the threaded hole (2) of the strobe.

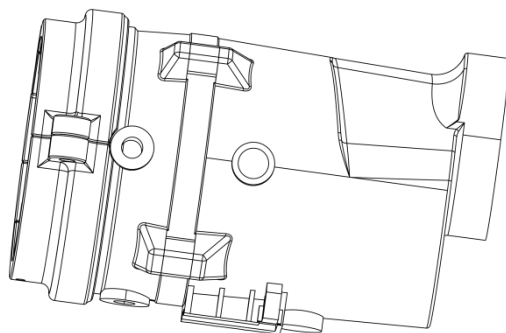


Attach the mounting ball to the strobe.

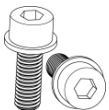
Sea & Sea YS-D3



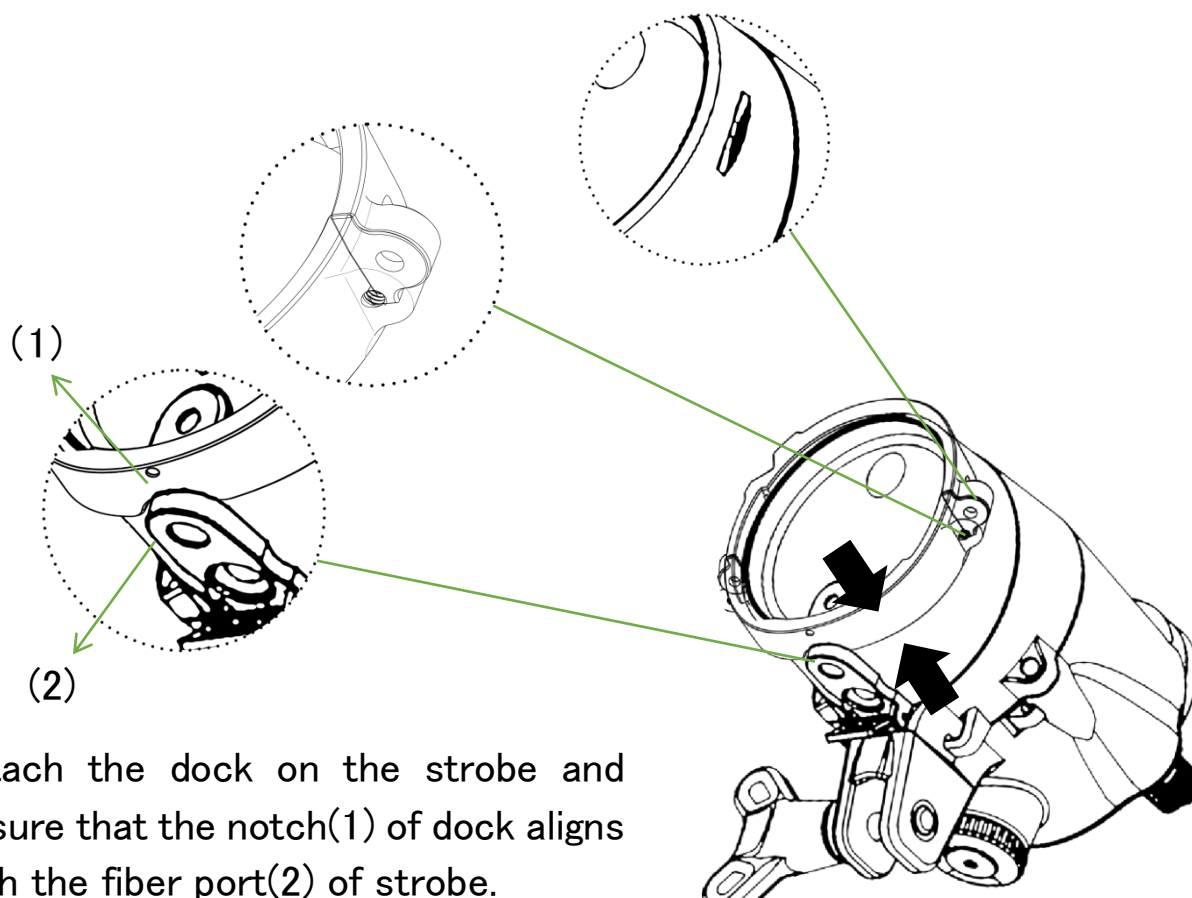
Attach the dock to the strobe so that the notch(1) of the dock aligns to the fiber port(2) of the strobe.



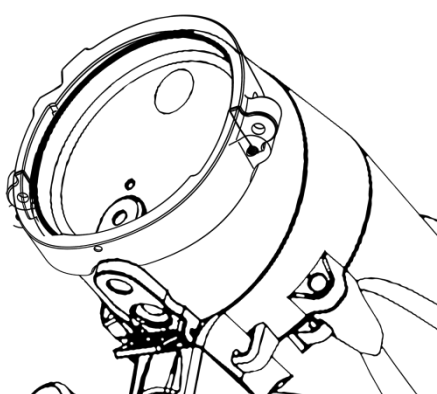
Tighten the screw to secure the dock onto the strobe.



Sea & Sea YS-D2



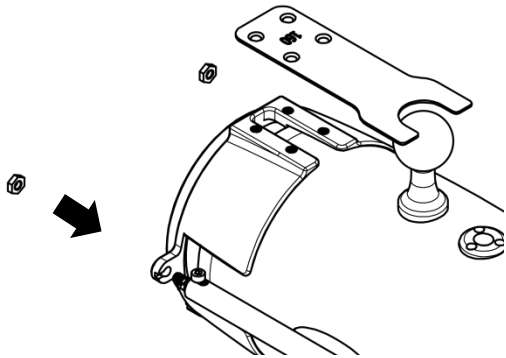
Attach the dock on the strobe and ensure that the notch(1) of dock aligns with the fiber port(2) of strobe.



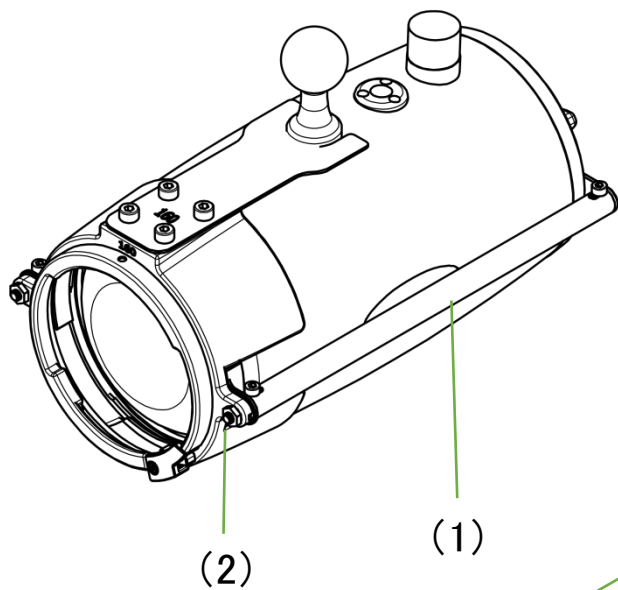
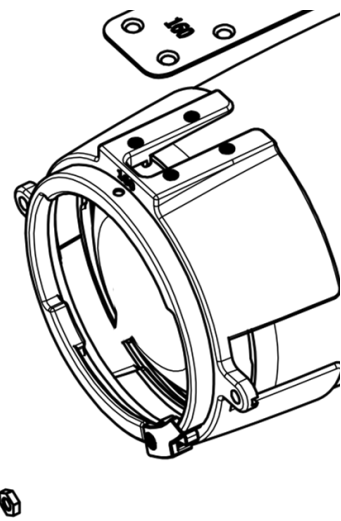
Screw the [Dock for Sea&Sea YS D2] on the strobe.



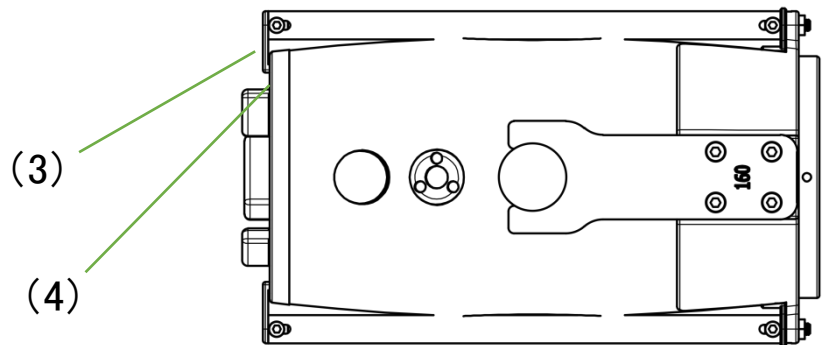
Seacam 150/160



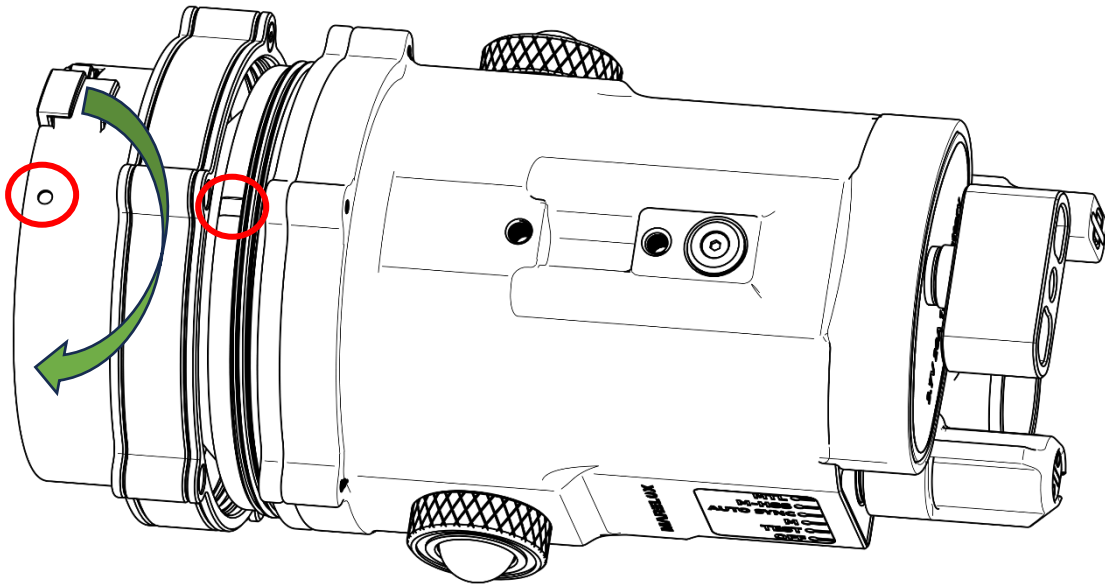
Attach the dock to the strobe as shown in the diagram.



Attach part(1) to the dock(2) using the screws provided, and make sure that part(3) is securely attached to the strobe(4) and not loose.

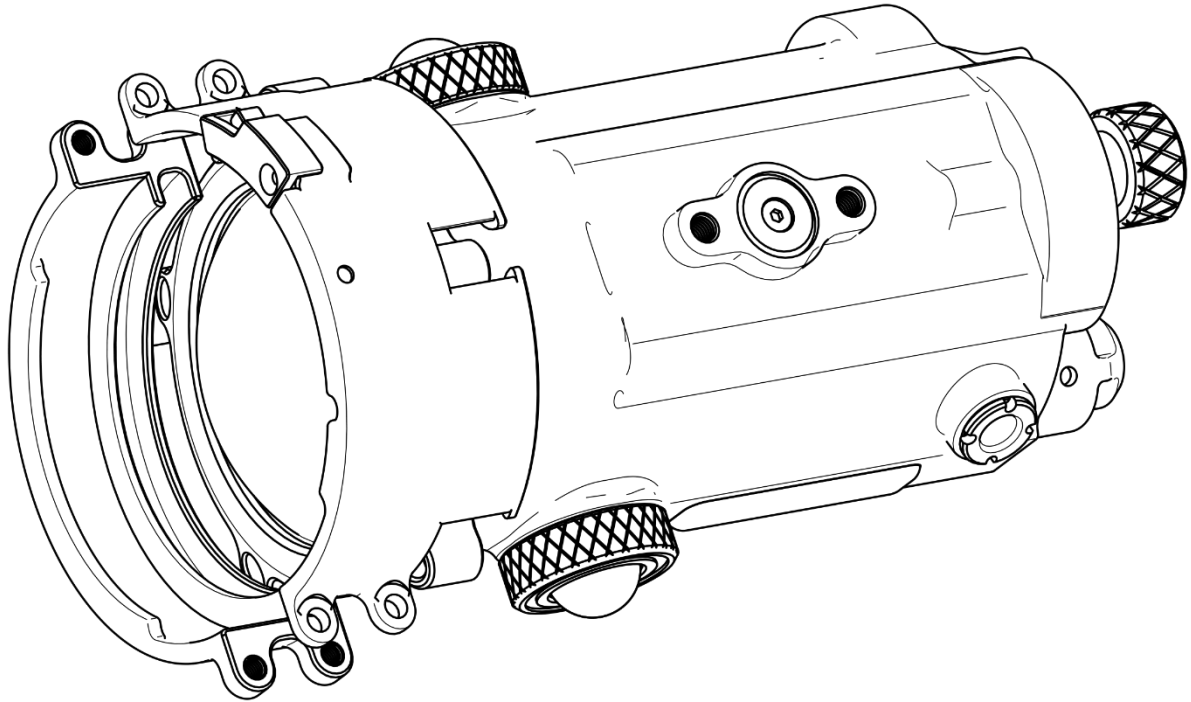


Apollo III

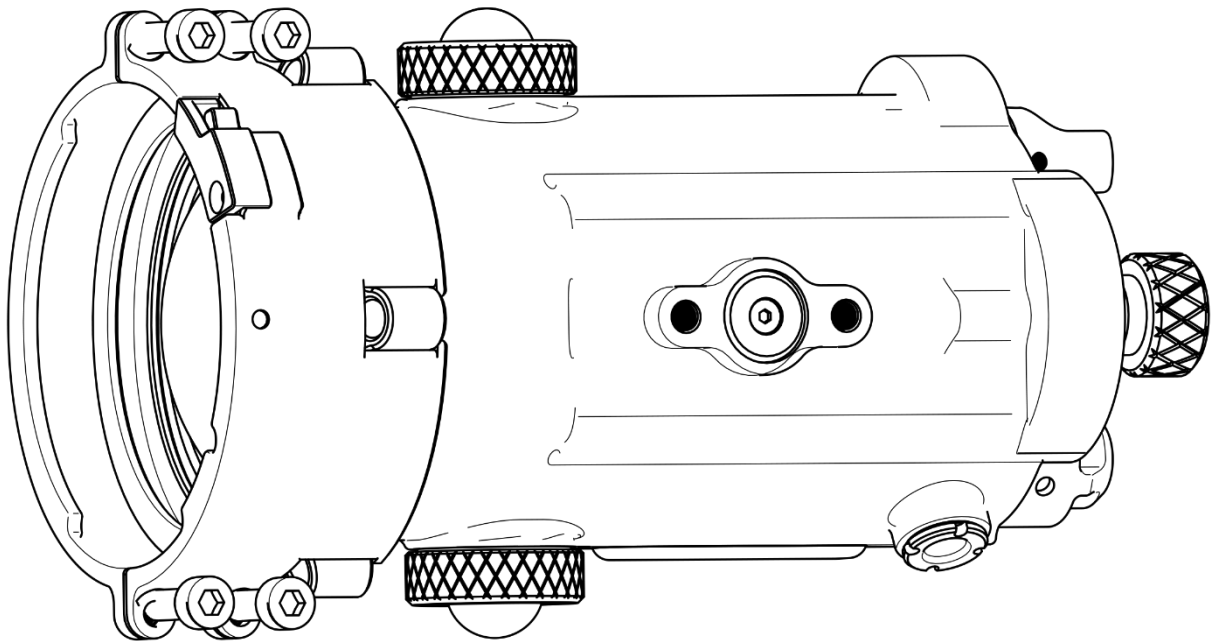


Align the dot on the Dock with the notch on the Apollo III, then insert and twist clockwise to tighten.

Apollo S

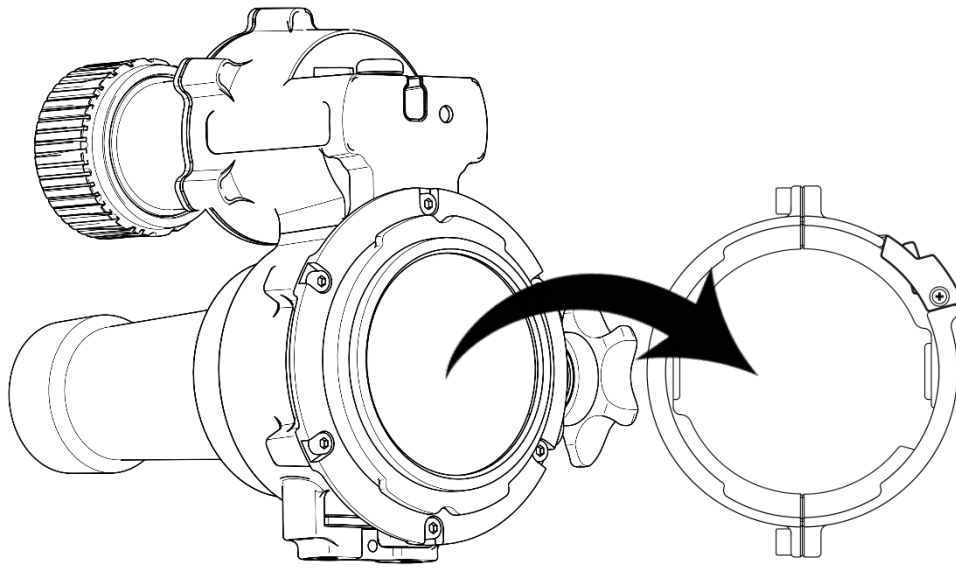


Attach the dock on the strobe and ensure that the notch of dock aligns with the protrusion of strobe.



Tighten the screw to secure the dock onto the strobe.

SOFT Lite 2.0 Installation

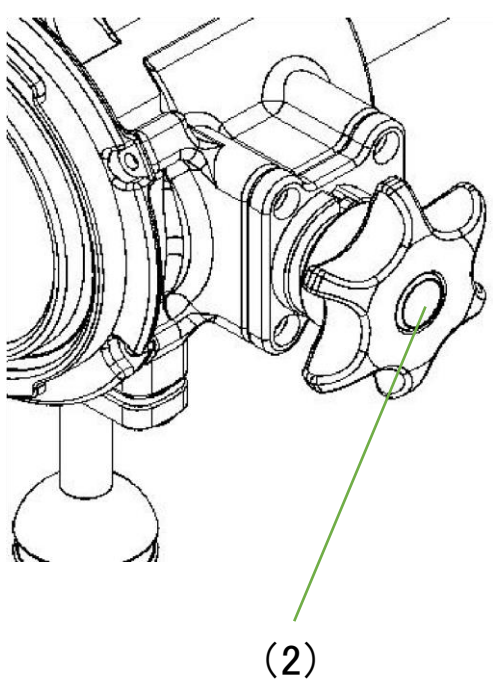
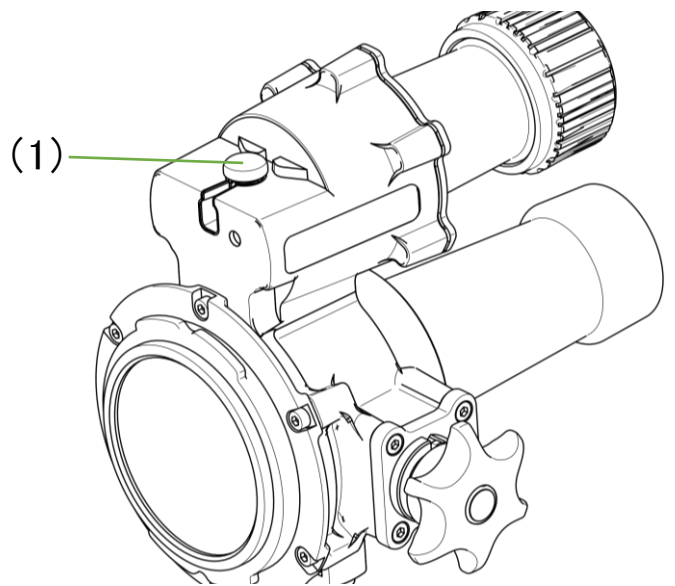


Insert the SOFT LITE 2.0 as shown in the diagram into the dock, then rotate it clockwise into position.

The SOFT LITE 2.0 and the Dock assembly may have a slight gap after being attached to the strobe, and slight wobbling is a normal phenomenon. The internal gear design of the SOFT LITE 2.0 includes a safety gap (wobbling may produce noise)

Usage

- Long press the power button (1) for 2 seconds to turn on the beam light
- Press the power button (1) to switch between two intensity levels (high and low) of white light and two intensity levels (high and low) of red light
- Long press the power button (1) for 3 seconds till the led turns red to turn off the beam light



- Set the auto switch off time for target light: Long press the power button (1) for 6 seconds until the LED stays red and then turns green, then release the button to enter the setting state. Press the button again to change the auto switch off time, then exit the setting state. (Switchable between 0.2 seconds and 1.2 seconds)
- Beam spot adjustment: turn the knob(2) to change the beam spot size.

Warranty

1. Marelux provides 2 years warranty for its SOFT body and 1 year warranty for electronic parts and components made of silicon, rubber and plastic.
2. Repairs caused by following reasons will be charged by Marelux even during the 2 years warranty period.
 - Damage from misuse, incorrect maintenance or storage not complying with the specifications and notices in this user manual ;
 - Damage from falling or inappropriate placement of the product ;
 - Damage caused by repair, maintenance, dismantlement, modification or cleaning by any unauthorized vendor or service center by Marelux;
 - Product without authentic Marelux serial number, or with erased, distorted or falsified serial number;
 - Damage caused by usage of non Marelux recommended accessories, parts, components from other makers or suppliers, such as Flash Trigger, Cable, Dome Port, Extension Ring, Convertor and etc. ;
 - Damage caused by misuse or mistreatment by human, or by natural disaster or other situations of force majeure;
 - Malfunction or damage caused by erosion due to not cleaning the SOFT.
3. Batteries, lubricants and other consumable supplies are not in warranty.
4. All parts and components replaced from the product in the warranty service should belong to Marelux.
5. Marelux is not responsible for and will not compensate any collateral damages or financial losses caused by using Marelux products, such as income or fees related to the use of Marelux products.
 - Warranty is only provided to products sold inside the service territory of the distributor or reseller.
 - Products purchased and used for rental business are not included in warranty.
 - Products will lose warranty immediately after unauthorized repair or modification.
 - The warranty terms above are made for Marelux customers to conduct free warranty service and repair, and have no restriction to any legal rights that customers shall possess.

Maintenance And Storage

- After each underwater use, always remove this product from the strobe and soak it in fresh water for several hours to dissolve any salt buildup. Wipe off water with soft cloth and let it dry in shaded and well-ventilated area.
- Periodically apply grease on the O-Ring of the battery end cap to prevent problems caused by salt buildup or electrical corrosion.
- A diffuser is not usable in combination with this product.
- Do not tighten screws too much to avoid damage on the screw holes.