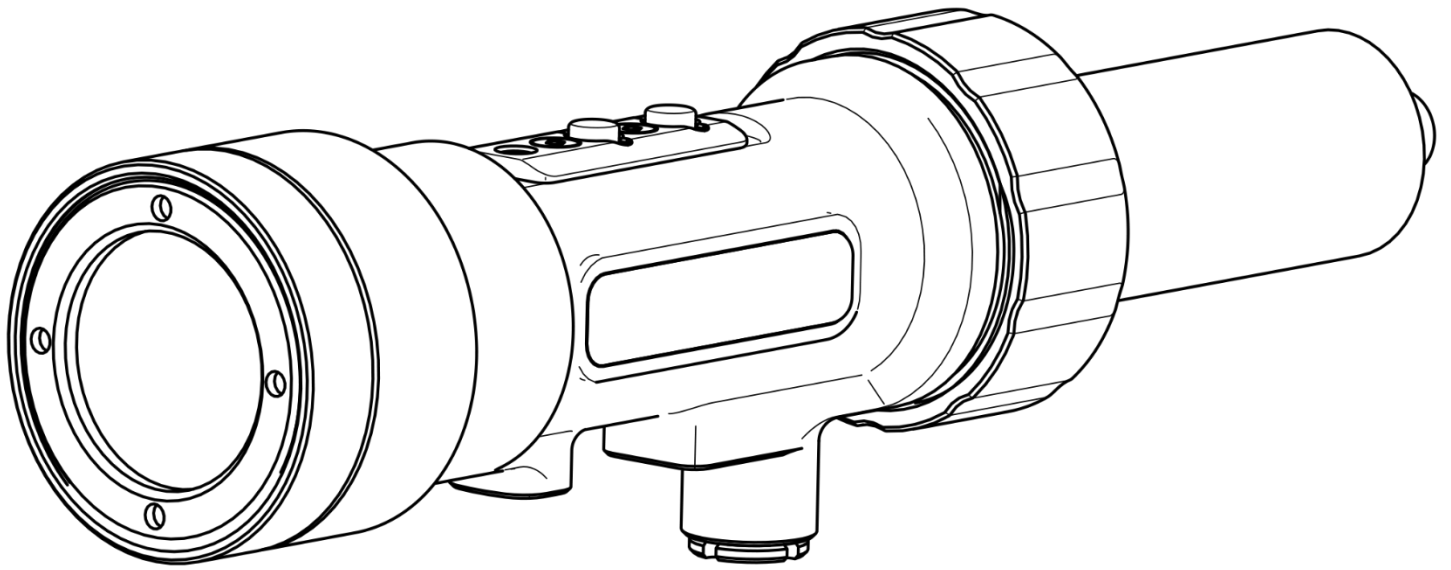


# MARELUX

## Lumiflux-1000

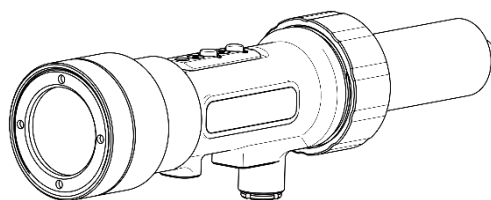


## User Manual

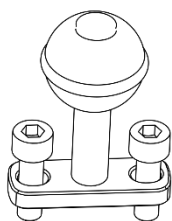
Please read this user manual carefully before starting to use the product, and use the product properly based on the thorough understanding of this user manual.

<https://www.marelux.co/>

# Package Contents



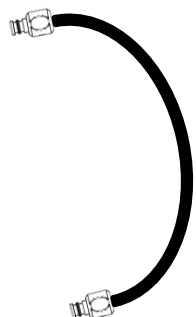
Lumiflux-1000



Mounting Ball



O-Ring\*2



0.3m Optical Cable

# Product Features

Material: Anodized Aluminum Alloy

Dimensions: Diameter 40mm, Length 210mm

Weight in Air (including battery): 430g (with ball mount)

Underwater weight (including battery): 210g (with ball mount)

Waterproof Depth: 100m

Beam Angle: 60°

Output: White light (100%) 1000 lumens, red light (100%) 500 lumens, four steps dimming mode (100%-80%-50%-20%)

Color Rendering Index (CRI): 92

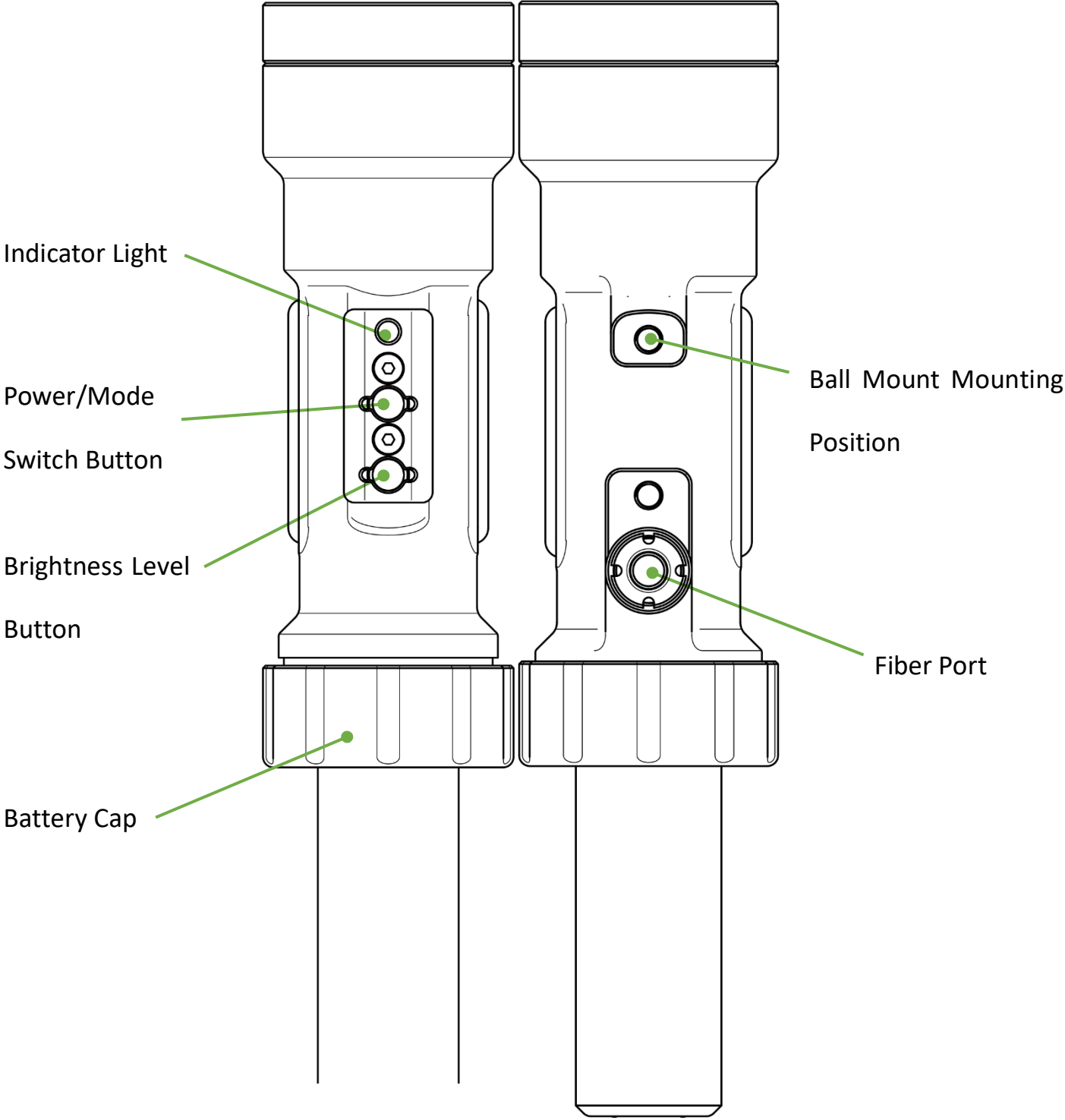
Battery: 1x21700 3.7V lithium batteries, 2 hours of continuous use at maximum power

Lumiflux connects to the fiber-optic port on the camera waterproof housing via a fiber-optic cable, enabling wireless flash triggering.

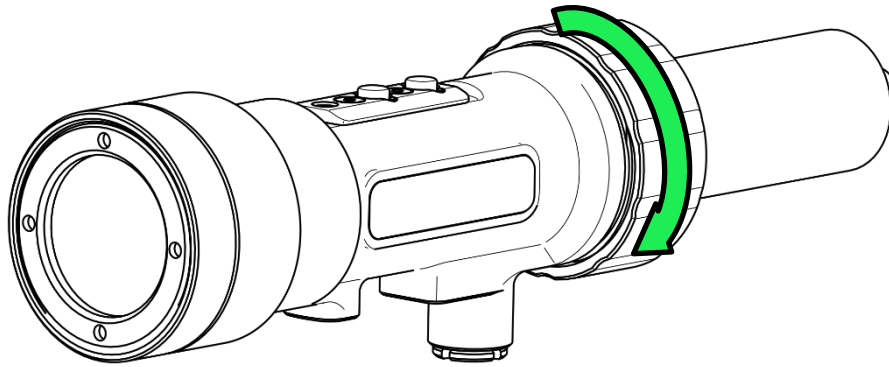
For wide-angle photography, when the Apollo and Lumiflux were positioned at 90 degrees to each other, wireless triggering was possible from roughly 15 meters.

Even at a 180-degree position between the Lumiflux and the Apollo, wireless triggering was still reliable up to about 3 meters.

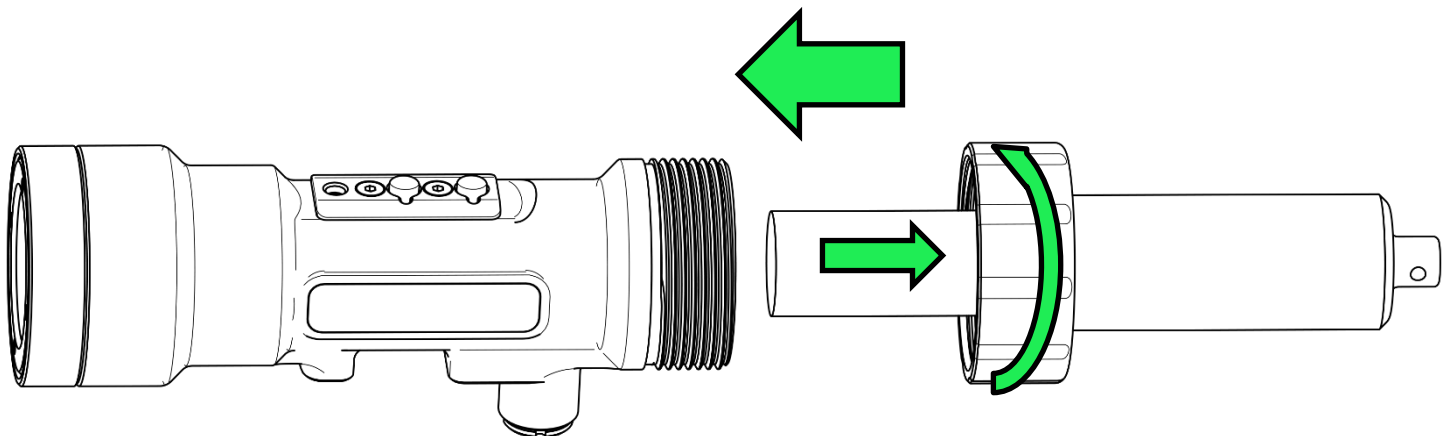
# Parts Illustration



# Battery Installation



Remove the Battery Cap by slowly rotating counterclockwise.



Insert the batteries in the direction shown in the figure, then rotate the battery cap clockwise to secure the battery chamber to the main body.

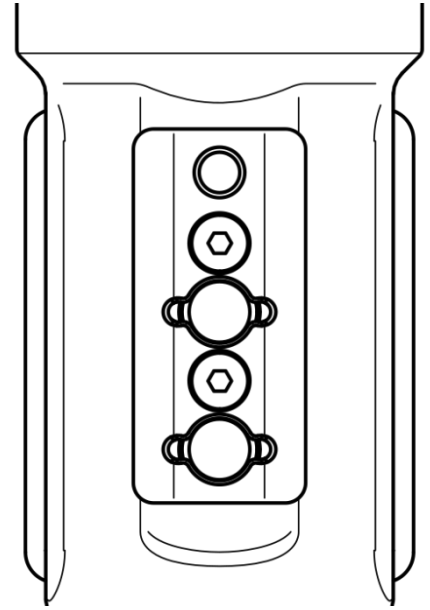
# Operation

Press and hold the Power Button to turn on/off the Lumiflux-1000.

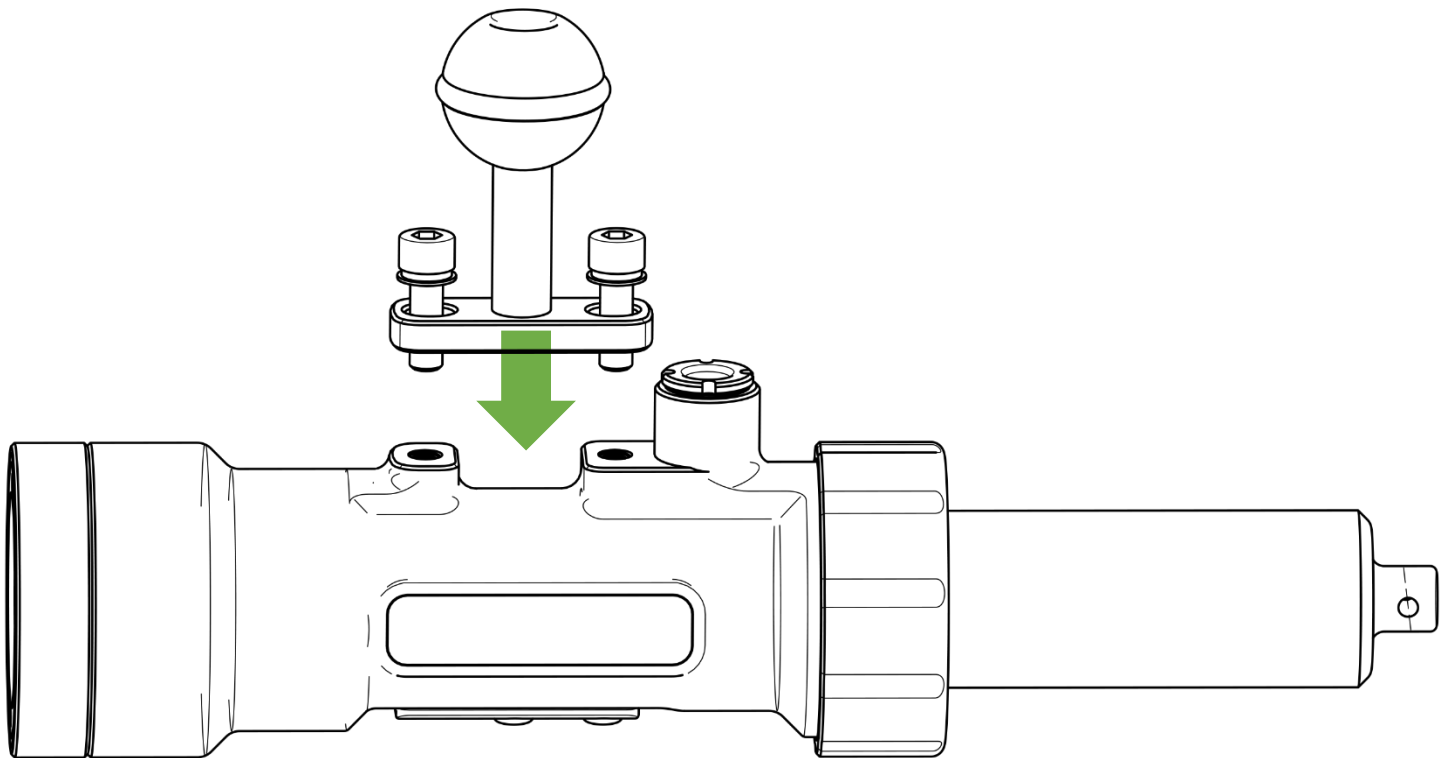
In the powered-on state, short press the Power Button to switch modes (white aiming light mode, red aiming light mode and wireless trigger mode), and short press the Brightness Level Button to adjust the light brightness.

In wireless trigger mode, the camera can be used to wirelessly trigger the Apollo series strobe.

When the battery is low, the indicator light flashes red. In this case, please stop using the device and remove the battery for charging.

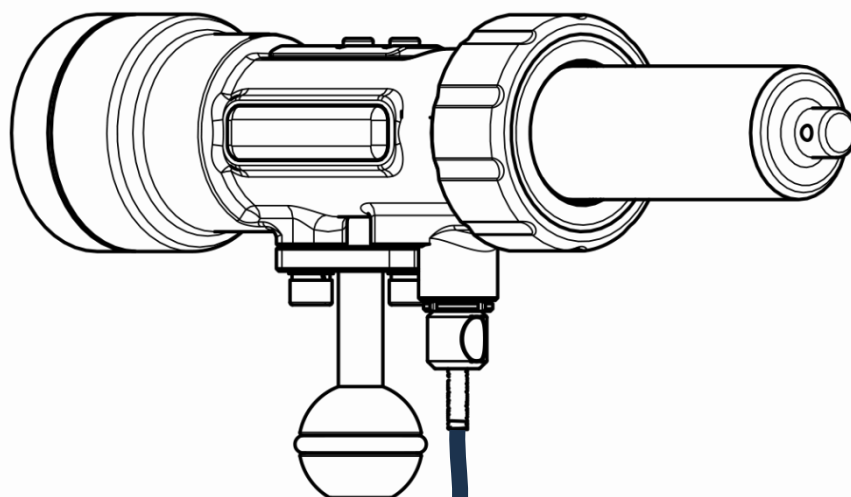


# Mounting Ball Installation

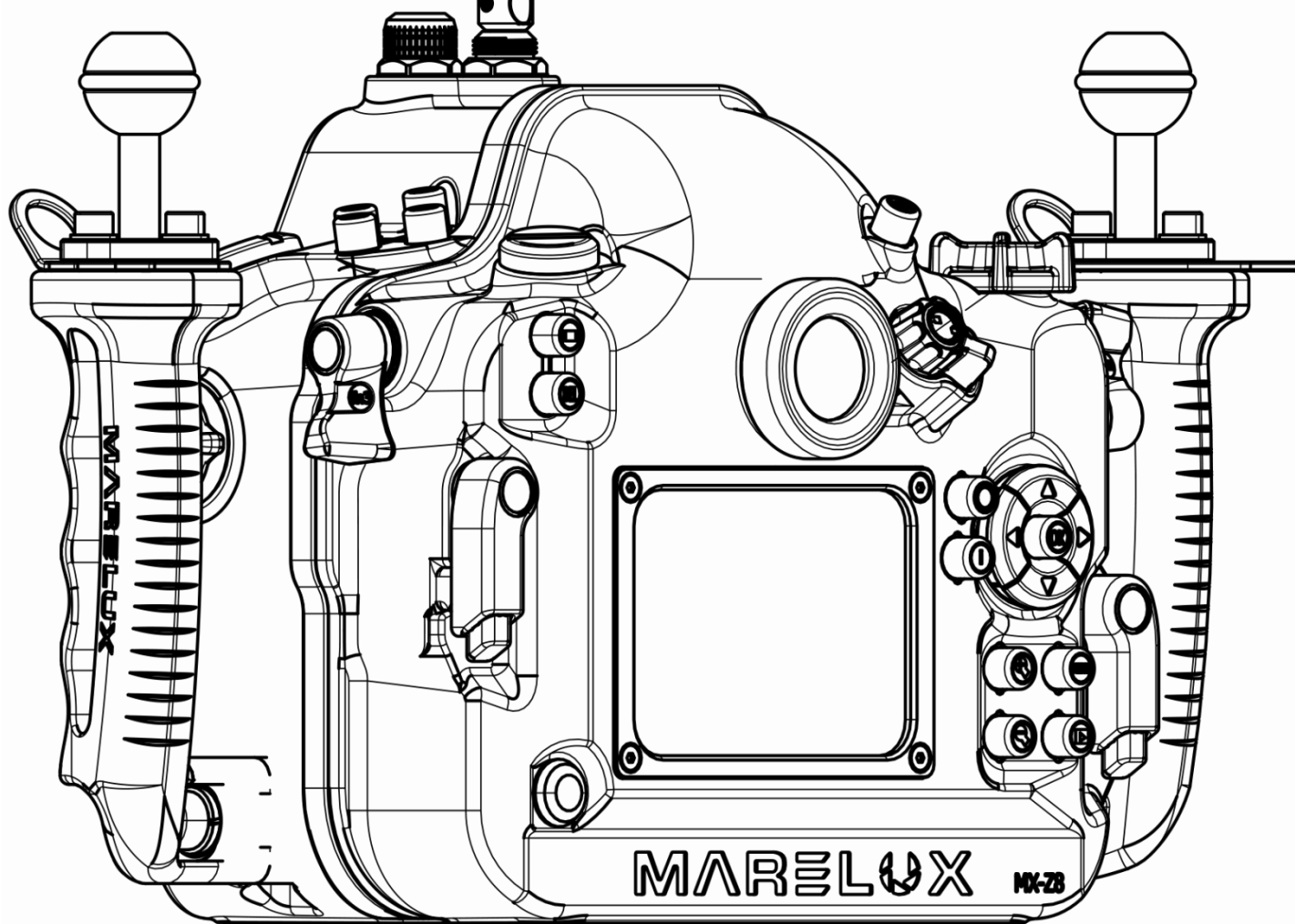


Install the mounting ball with two screws in the direction shown in the diagram.

# Mounting to the underwater housing



Connecting the 0.3m Optical Cable  
to the Housing Port



# Maintenance And Storage

1. After diving, make sure the video light is locked and sealed, wash the video light body with fresh water.
2. When immersed with fresh water, push each button few times, thus can help to let salt and sand go out.
3. Use a soft cloth to wipe and clean the glass.
4. After each dive, clean the O-rings and check if there are damages on the O-rings.
5. Use sturdy and shock-proof case to carry the video light and its accessories.
6. Don't leave the video light for too long inside vehicle under exposure to sunlight or heat.
7. Please stop charging the battery when it is full to prevent overcharging and damage to the battery.
8. If don't use the video light for long period, remove the batteries.
9. This product is prohibited for use or play by children under 10 years old.

# Warranty

1. Marelux provides 2 years warranty for its housing body, cable (such as fiber cable and HDMI cable), and 1 year warranty for electronic parts and components made of silicon, rubber and plastic.
2. Marelux will keep components and parts for repair and maintenance in storage for 5 years after EOL of each model. Beyond this period, Marelux may not be able to provide repair service for those products.
3. Repair caused by following reasons will still be charged by marelux even during the 2 years warranty.
  - Damage from misuse, incorrect maintenance or storage not complying with the specifications and notices in this users' manual;
  - Damage from falling or inappropriate placement of the product;
  - Damage caused by repair, maintenance, dismantlement, modification or cleaning by any unauthorized vendor or service center by Marelux;
  - Product without authentic Marelux serial number, or with erased, distorted or falsified serial number;
  - Damage caused by usage of non Marelux recommended accessories, parts, components from other makers or suppliers, such as Flash Trigger, Cable, Dome Port, Extension Ring, Convertor and etc;
  - Damage caused by misuse or mistreatment by human, or by natural disaster or other situations of force majeure;
  - Malfunction or damage caused by erosion due to not cleaning the housing or accessories.
4. Batteries, lubricants and other consumable supplies are not in warranty.
5. All parts and components replaced from the housing and its accessories in the warranty service should belong to Marelux.
6. Marelux is not responsible for and will not compensate any collateral damages or financial losses caused by using Marelux products, such as income or fees related to the users of Marelux products.

- Warranty is only provided to products sold inside the service territory of the distributor or reseller.
- Products purchased and used for rental business are not included in warranty.
- Products will lose warranty immediately after unauthorized repair or modification.
- The warranty terms above are made for Marelux customers to conduct free warranty service and repair and have no restriction to any legal rights that customers shall possess.