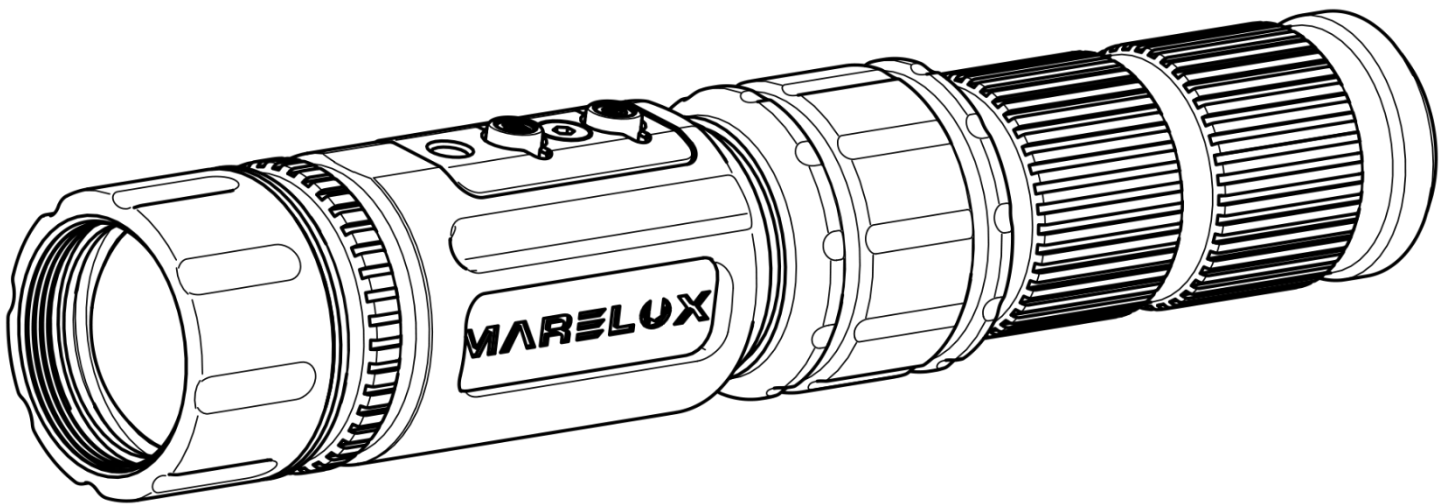


MARELUX

Artemis 1000 RMT

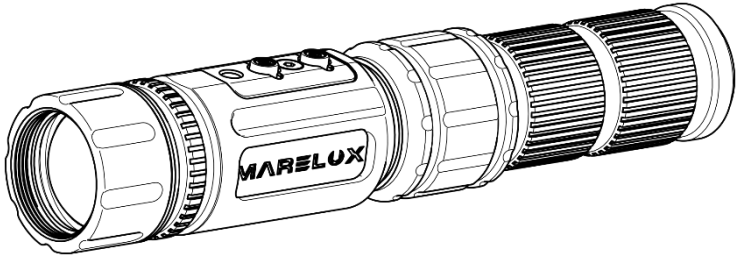


User Manual

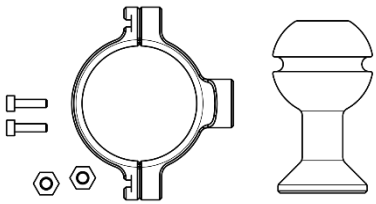
Please read this user manual carefully before starting to use the product, and use the product properly based on the thorough understanding of this user manual.

<https://www.marelux.co/>

Package Contents



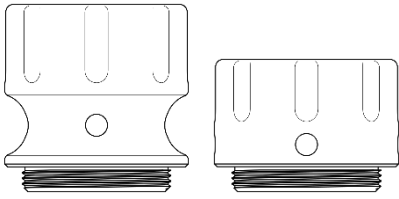
Artemis 1000 RMT



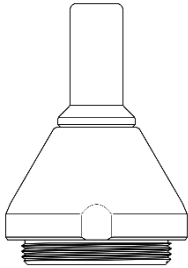
Mounting Ball & Accessories



O-Ring*2



Focusing Lens*2



Snoot

Product Features

Material: Anodized Aluminum Alloy

Dimensions: Diameter 33mm, Length 180 mm

Weight in Air (including battery):300g (with ball mount)

Underwater weight (including battery):150g (with ball mount)

Waterproof Depth:100m

Beam Angle:10°

TEMP: 5000K

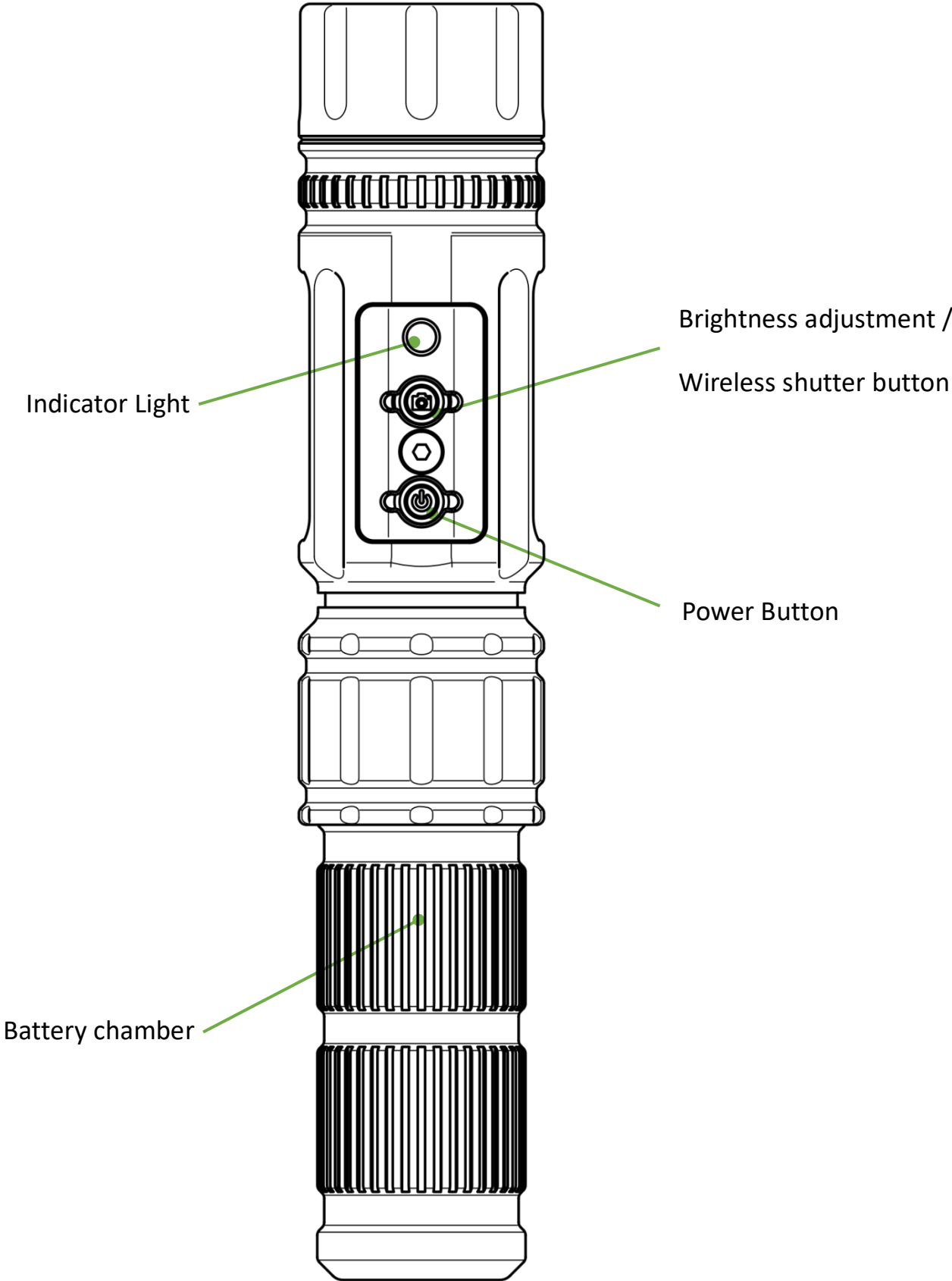
Output: White light (100%) 1000 lumens, four steps dimming mode (100%-80%-50%-20%)

Color Rendering Index (CRI):95

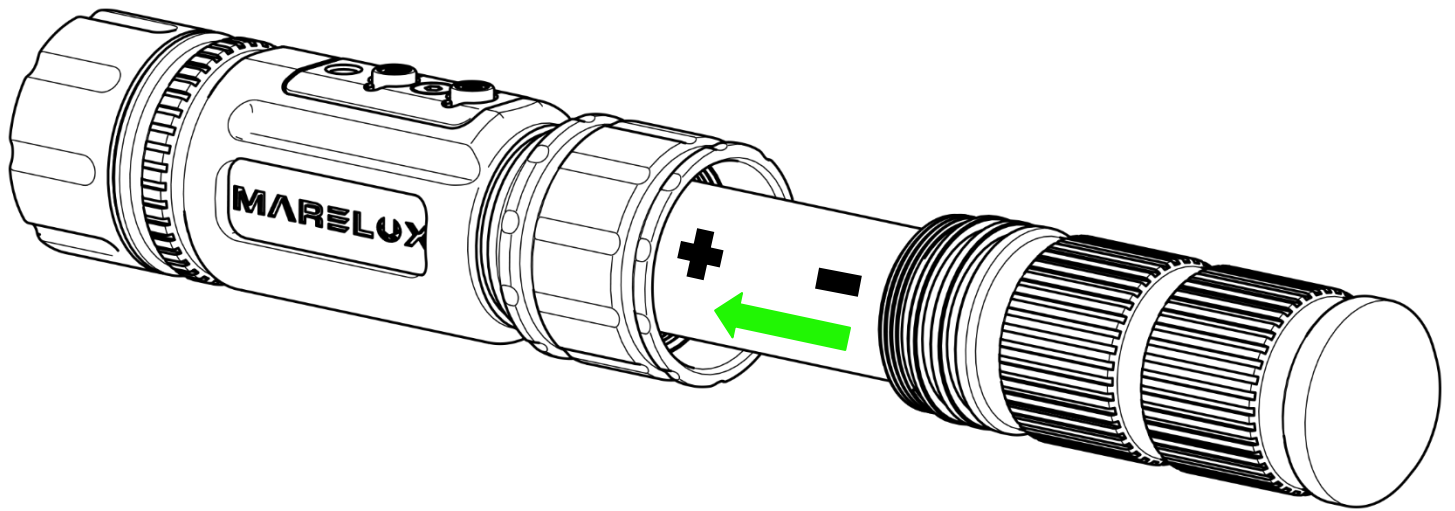
Equipped with a Remote-control mode (It is used to remotely control the MX housing equipped with the **42510 Remote Shutter Module** to operate the camera shutter remotely)

Battery:1x21700 3.7V lithium batteries (The battery length must be within 75 mm) ,2 hours of continuous use at maximum power

Parts Illustration



Battery Installation



Slowly rotate counterclockwise to remove the battery chamber.

Insert one 21700 lithium battery according to the polarity marked inside the battery chamber. Then rotate the battery chamber clockwise to tighten it.

Operation

Press and hold the power button to turn on/off the Artemis 1000 RMT.

In the powered-on state, short press the brightness adjustment button to adjust the light brightness.

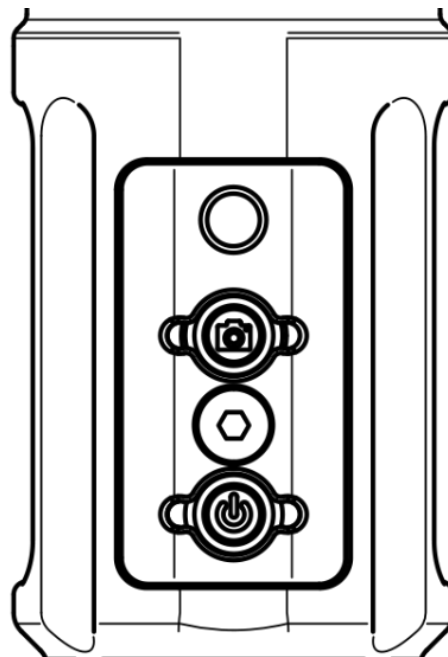
There are 4 adjustable brightness levels.

In the powered-on state, press and hold the wireless shutter button first, then press and hold the power button to activate the wireless shutter remote mode.

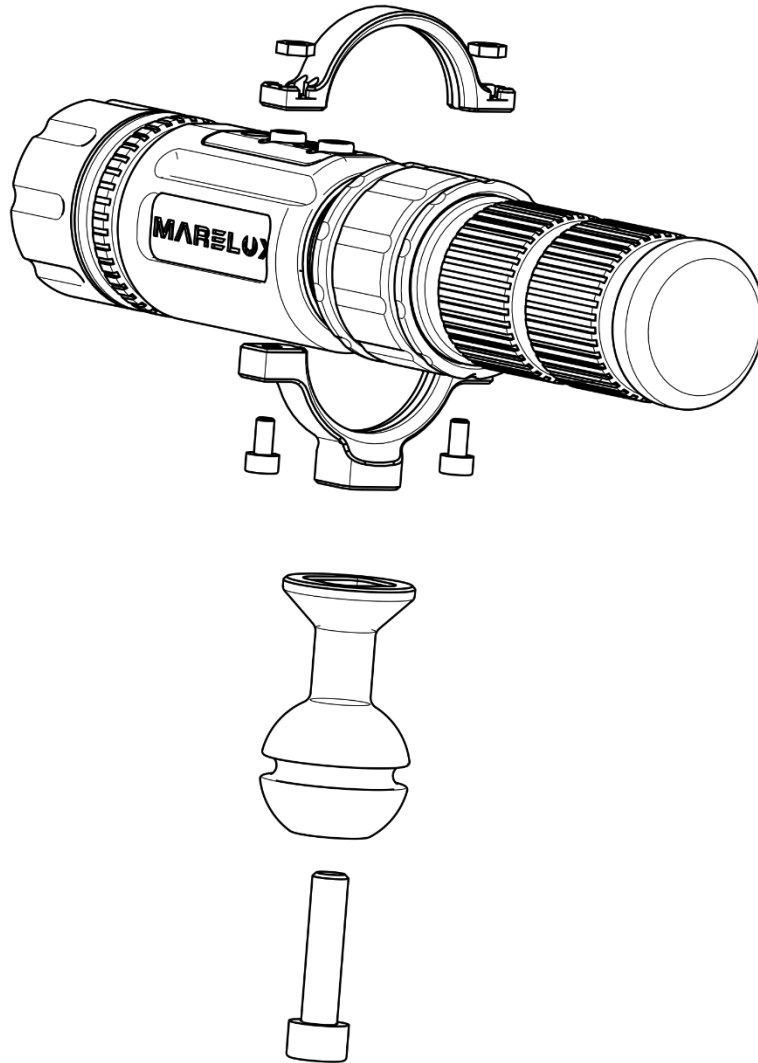
In this mode, a half-press of the remote shutter button triggers camera focusing, and a full press of the button triggers the camera to take a photo.

To exit the wireless shutter remote mode, repeat the same operation: press and hold the wireless shutter button first, then press and hold the power button.

When the battery is low, the indicator light flashes red. In this case, please stop using it and remove the battery for charging.



Mounting Ball Installation



Install the mounting ball as shown in the diagram

Maintenance And Storage

1. After diving, make sure the video light is locked and sealed, wash the video light body with fresh water.
2. When immersed with fresh water, push each button few times, thus can help to let salt and sand go out.
3. Use a soft cloth to wipe and clean the glass.
4. After each dive, clean the O-rings and check if there are damages on the O-rings.
5. Use sturdy and shock-proof case to carry the video light and its accessories.
6. Don't leave the video light for too long inside vehicle under exposure to sunlight or heat.
7. Please stop charging the battery when it is full to prevent overcharging and damage to the battery.
8. If don't use the video light for long period, remove the batteries.
9. This product is prohibited for use or play by children under 10 years old.

Warranty

1. Marelux provides 2 years warranty for its housing body, cable (such as fiber cable and HDMI cable), and 1 year warranty for electronic parts and components made of silicon, rubber and plastic.
2. Marelux will keep components and parts for repair and maintenance in storage for 5 years after EOL of each model. Beyond this period, Marelux may not be able to provide repair service for those products.
3. Repair caused by following reasons will still be charged by marelux even during the 2 years warranty.
 - Damage from misuse, incorrect maintenance or storage not complying with the specifications and notices in this users' manual;
 - Damage from falling or inappropriate placement of the product;
 - Damage caused by repair, maintenance, dismantlement, modification or cleaning by any unauthorized vendor or service center by Marelux;
 - Product without authentic Marelux serial number, or with erased, distorted or falsified serial number;
 - Damage caused by usage of non Marelux recommended accessories, parts, components from other makers or suppliers, such as Flash Trigger, Cable, Dome Port, Extension Ring, Convertor and etc;
 - Damage caused by misuse or mistreatment by human, or by natural disaster or other situations of force majeure;
 - Malfunction or damage caused by erosion due to not cleaning the housing or accessories.
4. Batteries, lubricants and other consumable supplies are not in warranty.
5. All parts and components replaced from the housing and its accessories in the warranty service should belong to Marelux.
6. Marelux is not responsible for and will not compensate any collateral damages or financial losses caused by using Marelux products, such as income or fees related to the users of Marelux products.

- Warranty is only provided to products sold inside the service territory of the distributor or reseller.
- Products purchased and used for rental business are not included in warranty.
- Products will lose warranty immediately after unauthorized repair or modification.
- The warranty terms above are made for Marelux customers to conduct free warranty service and repair and have no restriction to any legal rights that customers shall possess.